



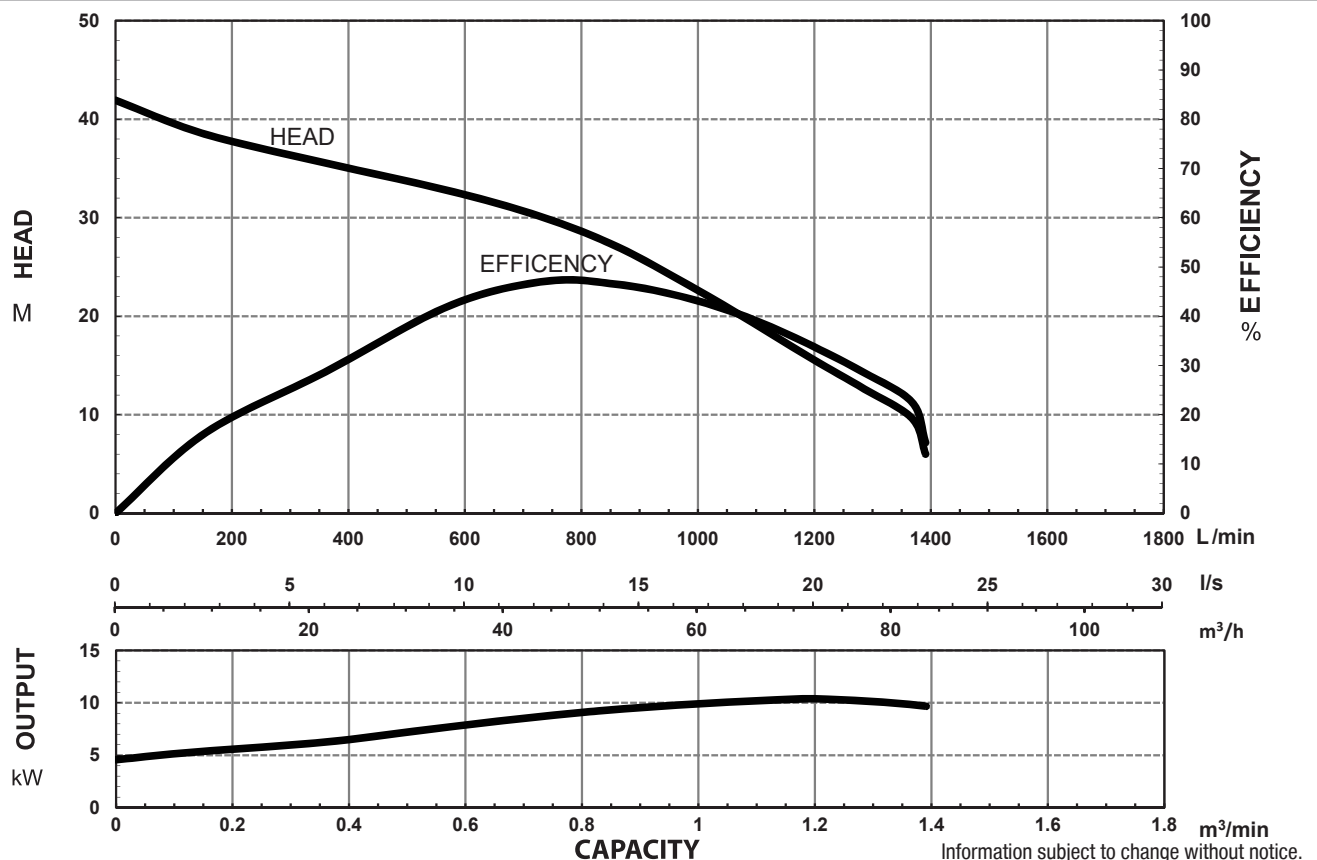
SPECIFICATIONS

Power	11kW / 15HP
Frequency	50Hz
Discharge	80mm / 3 inch female BSP
Weight (Excl cable)	87KG
Solid Passage	50 mm
Phase	3 ϕ
Voltage	415
Full Load Amps	21.6
Maximum Liquid Temperature	0-40° C
Maximum Submersion Depth	10m (33 feet)
Motor type	Dry motor
Motor Speed	2 Pole (2800 rpm)
Motor Insulation	Class F
Motor Protection	IP68
Protector	Motor Thermal Switch Moisture Sensor
Motor Bearings	Ball Type
Seal Method	Dual Mechanical seal Upper: Carbon/Ceramic Lower: Silicon/Silicon
Impeller Type	Vortex
Motor Cover Construction	SCS14 Stainless Steel
Motor Casing Construction	316 Stainless Steel
Motor Shaft Construction	630 Stainless Steel
Pump Casing Construction	SCS14 Stainless Steel
Impeller Construction	SCS14 Stainless Steel
Cable Material	H07RN-F

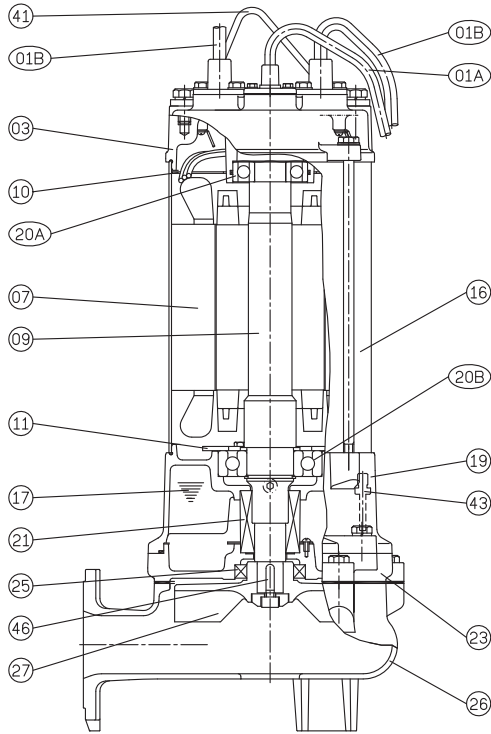
MODEL NUMBER STRUCTURE

U	Ultraflow
M	'M' indicates Manual, without floatswitch
V	'V' indicates 'Vortex' series
N	'N' indicates 'Cutter' series
SS	'SS' indicates Stainless Steel wetted parts
11000	Power consumption in 'Watts'
80	Outlet size
3	'3' indicates 415 volt three phase

PERFORMANCE CURVES



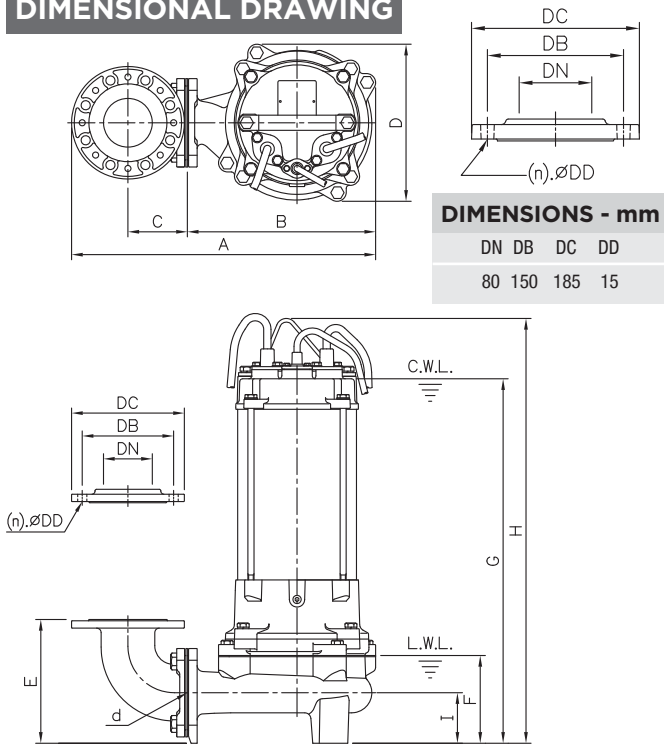
SECTIONAL DRAWING & MATERIALS LIST



PART NUMBER	DESCRIPTION	MATERIAL
01 A	Sensor Cable	H07RN-F
01 B	Power Cables	H07RN-F
03	Upper Motor Cap	SCS14 Stainless Steel
07	Motor Stator	
09	Shaft With (With Rotor)	(Shaft) Stainless Steel 630
10A	Auto Cut Out Overload	
10B	Winding Cover Plate	
16	Motor Casing	316 Stainless Steel
17	Lubricant	Turbine Oil
19	Lower Bearing Housing	SCS14 Stainless Steel
20A & 20B	Upper Bearing & Lower Bearing	
21	Mechanical Seal	Upper: Carbon/Ceramic Lower: Silicon/Silicon
23	Mechanical Seal Housing	SCS14 Stainless Steel
25	Oil Seal	Nitrile
26	Pump Casing	SCS14 Stainless Steel
27	Impeller	SCS14 Stainless Steel
41	Handle	304 Stainless Steel
43	Moisture Sensor	
46	Impeller Key	304 Stainless Steel
47	O'rings	
55	Oil Plug	304 Stainless Steel

When ordering spare parts as above, simply add the pump model number to the part number from the list above. For example, a power lead (part '01'), the complete spare part name would be written as '01-UMVNSS11000/80/3'.

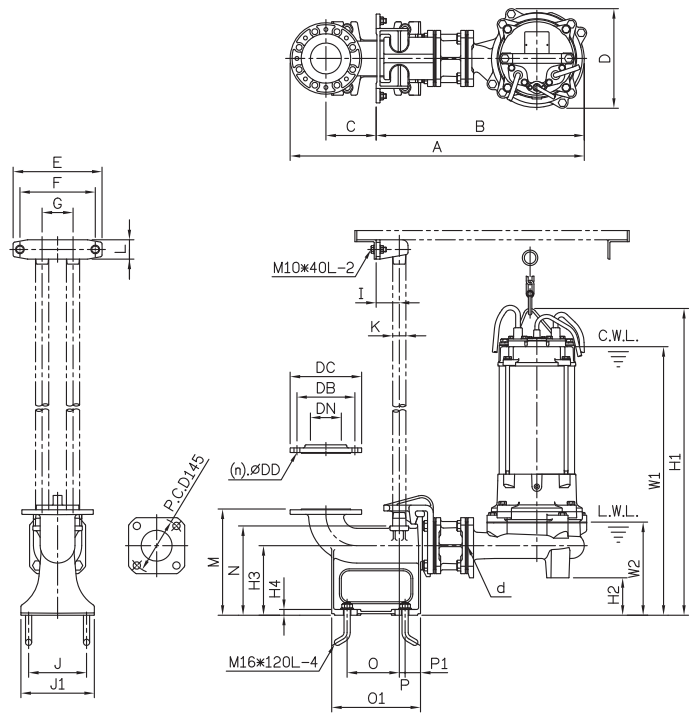
DIMENSIONAL DRAWING



DIMENSIONS - mm

DN	DB	DC	DD
80	150	185	15

GUIDE RAIL SYSTEM DIMENSIONS USING GRSS80HP GUIDE RAIL KIT



DIMENSIONS - mm
UMVNSS11000/80/3

d	A	B	C	D	E	F	G	H	I
80	499	309	98	258	203	144	598	697	83

DIMENSIONS - UMVNSS11000/80/3

d	A	B	C	D	E	F	G	I	J	J1	K	L	M	N	O	O1	P	P1	W1	W2	H1	H2	H3	H4
80	768	545	130	258	230	195	80	60	150	190	32	50	275	231	135	230	15	40	695	241	794	97	180	15

Information subject to change without notice.