



Models: **UMHDDN750/50/1**
UAHDDN750/50/1
UAHDDN750/50/1-FV



MODEL NUMBER STRUCTURE

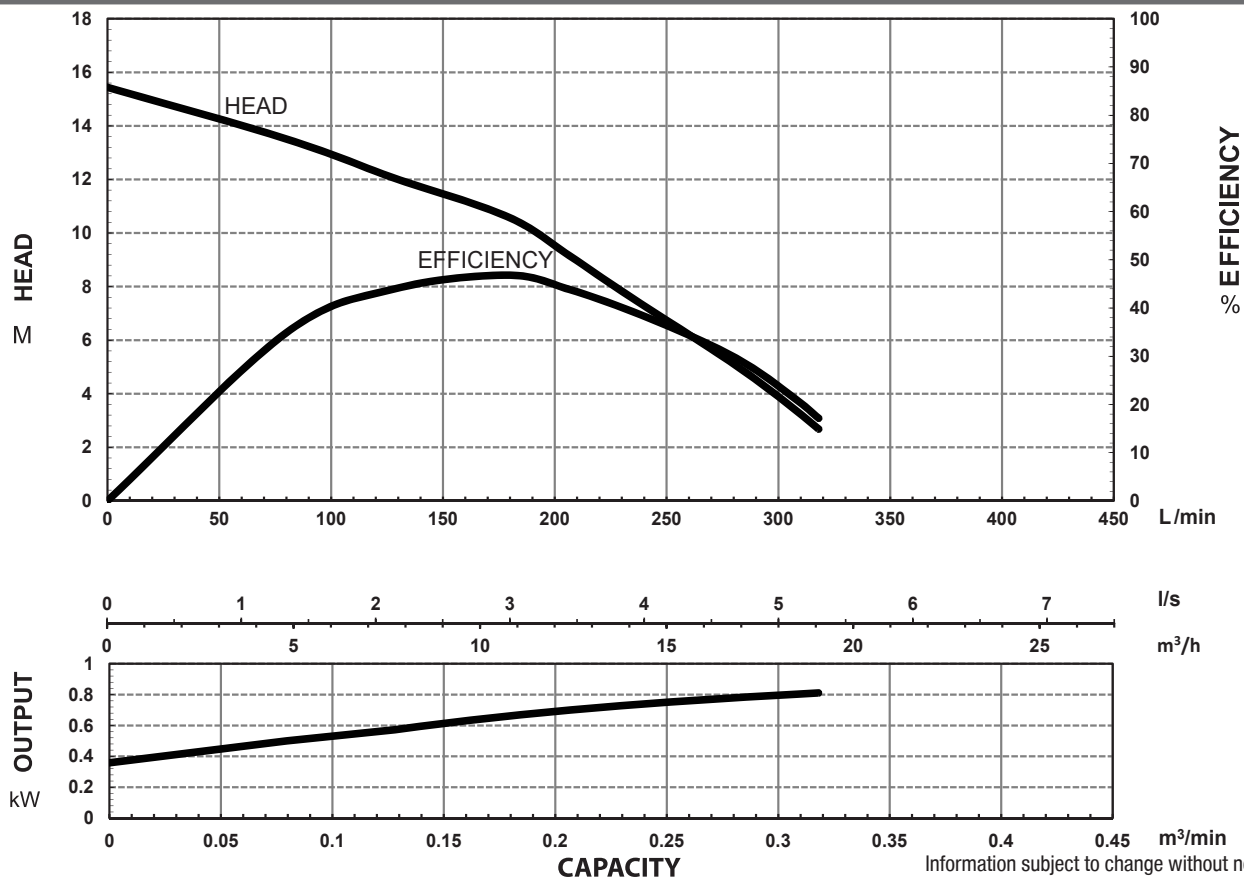
U	Ultraflow
M	'M' indicates Manual, without floatswitch
HDD	'HDD' indicates 'Heavy Duty Drainage' style
N	'N' indicates series
750	Power consumption in 'Watts'
50	Outlet size
1	'1' indicates 240 volt single phase

FSLC' and 'FV' indicates pump is fitted with a fixed arm bracket for floatswitch models which are used in applications to prevent the floatswitch from interfering with the sides of small pump wells

SPECIFICATIONS

Power	0.75kW / 0.5HP
Frequency	50Hz
Discharge	50mm / 2 inch male BSP
Weight (Excl cable)	12.5Kg
Solid Passage	7 mm
Phase	1 ϕ
Voltage	240
Full Load Amps	4.8
Maximum Liquid Temperature	0-40° C
Motor type	Dry motor
Motor Speed	2 Pole (2800 rpm)
Motor Insulation	Class B
Motor Protection	IP68
Protector	Auto cut
Motor Bearings	Ball Type
	Dual Mechanical seal
Seal Method	Upper: Carbon/Ceramic Lower: Silicon/Silicon
Impeller Type	Semi-open
Motor Cover Construction	ADC12 Aluminium
Motor Casing Construction	ADC12 Aluminium
Motor Shaft Construction	410 Stainless Steel
Pump Casing Construction	Synthetic Rubber
Impeller Construction	Synthetic Rubber & SPCC
Strainer Construction	304 Stainless Steel
Cable Material	H07RN-F

PERFORMANCE CURVES

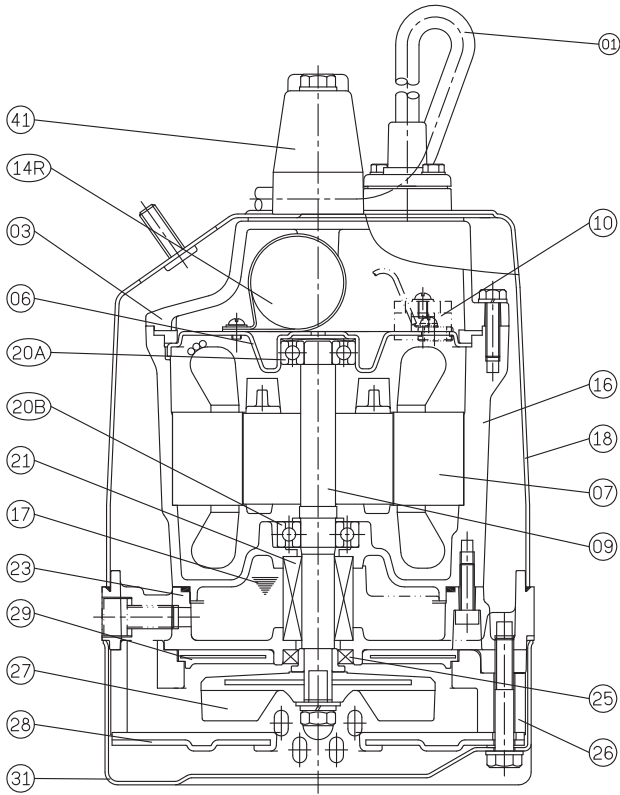


Information subject to change without notice.

Models: **UMHDDN750/50/1**
UAHDDN750/50/1
UAHDDN750/50/1-FV



SECTIONAL DRAWING & MATERIALS LIST



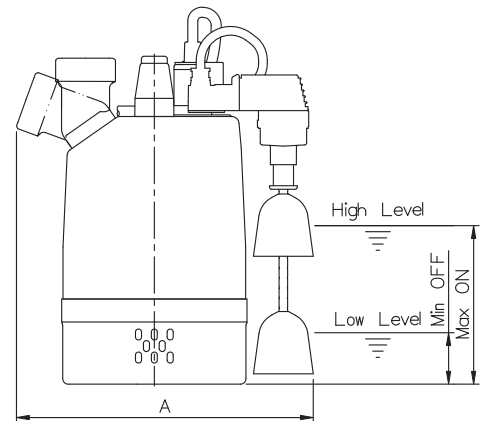
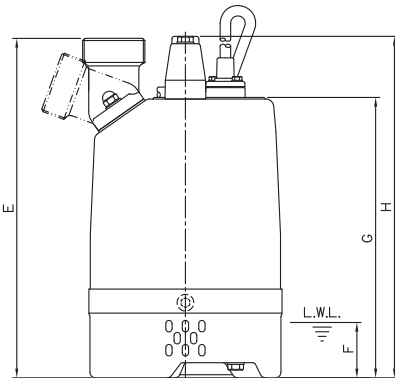
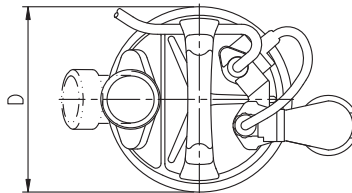
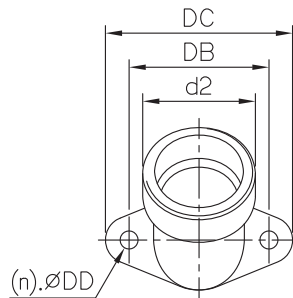
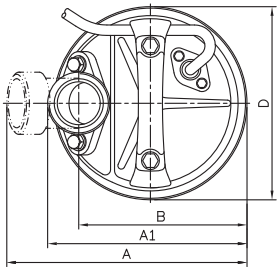
PART NUMBER	DESCRIPTION	MATERIAL
01	Cable	H07RN-F
03	Upper Motor Cap	ADC12 Aluminium
06	Upper Bearing Housing	Galvanised Steel
07	Motor Stator	
09	Shaft (With Rotor)	(Shaft) Stainless Steel 410
10	Auto Cut Out Overload	
14R	Capacitor	
16	Motor Casing	ADC12 Aluminium
17	Lubricant	Turbine Oil
18	Outer Cover	SPCE Carbon Steel
20A & 20B	Upper Bearing & Lower Bearing	
21	Mechanical Seal	Upper: Carbon/Ceramic Lower: Silicon/Silicon
23	Mechanical Seal Housing	ADC12 Aluminium
25	Oil Seal	Nitrile
26	Pump Casing	Synthetic Rubber
27	Impeller	Urethane coated SPCC steel
28	Suction Cover	Cast Iron FC-200
29	Wear Plate	Urethane coated SPCC steel
31	Strainer	304 Stainless Steel
41	Handle	ABS Plastic
46	Impeller Key	304 Stainless Steel
47	O'rings	

When ordering spare parts as above, simply add the pump model number to the part number from the list above. For example, a power lead (part '01'), the complete spare part name would be written as '01-UMHDDN750/50/1'.

DIMENSIONS

PUMP OUTLET DIMENSIONS

FSV FLOAT SWITCH



DIMENSIONS - mm

d2	DB	DC	DD
50	74	99	9

DIMENSIONS - mm

A	A1	B	D	E	F	G	H
230	191	161	185	325	50	269	327

DIMENSIONS - mm

A	D	Max ON	Max Off
299	187	135	55

Information subject to change without notice.



T 1300 662 787 | F 1300 662 717
 22-24 Somerville Circuit, Emu Plains NSW 2750
 E sales@generalpumps.com.au www.generalpumps.com.au