



Models: **UMHDDN2200/50/3**
UAHDDN2200/50/3



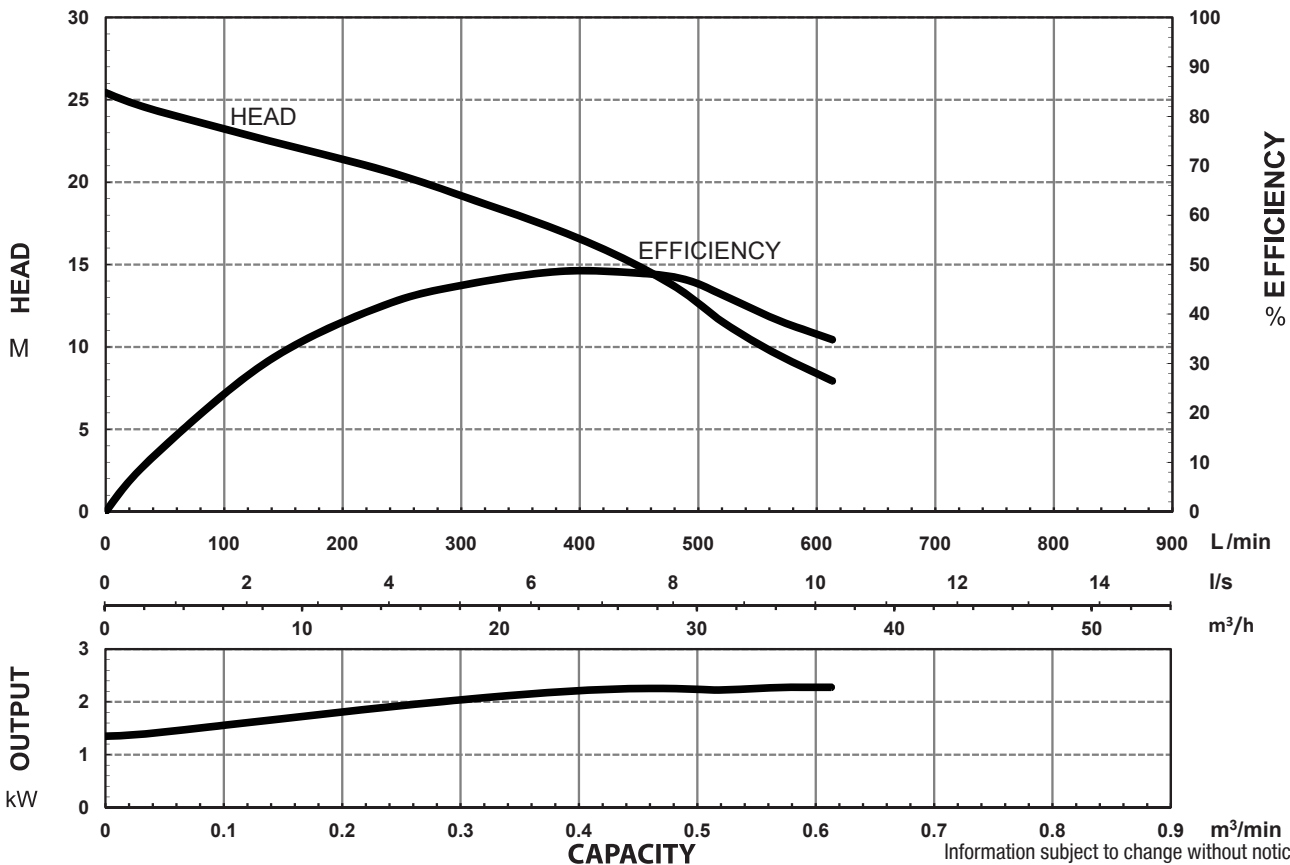
SPECIFICATIONS

Power	2.2kW / 3HP
Frequency	50Hz
Discharge	50mm / 2 inch male BSP
Weight (Excl cable)	44Kg
Solid Passage	10 mm
Phase	3ø
Voltage	415
Full Load Amps	4.8
Maximum Liquid Temperature	0-40° C
Motor type	Dry motor
Motor Speed	2 Pole (2800 rpm)
Motor Insulation	Class B
Motor Protection	IP68
Protector	Auto cut
Motor Bearings	Ball Type
Seal Method	Dual Mechanical seal Upper: Carbon/Ceramic Lower: Silicon/Silicon
Impeller Type	Semi-open
Motor Cover Construction	FC200 Cast Iron
Motor Casing Construction	FC200 Cast Iron
Motor Shaft Construction	403 Stainless Steel
Pump Casing Construction	FC200 Cast Iron
Impeller Construction	Hi-Chromium
Strainer Construction	304 Stainless Steel
Cable Material	H07RN-F

MODEL NUMBER STRUCTURE

U	Ultraflow
M	'M' indicates Manual, without floatswitch
HDD	'HDD' indicates 'Heavy Duty Drainage' series
N	'N' indicates series
2200	Power consumption in 'Watts'
50	Outlet size
1	'1' indicates 240 volt single phase

PERFORMANCE CURVES



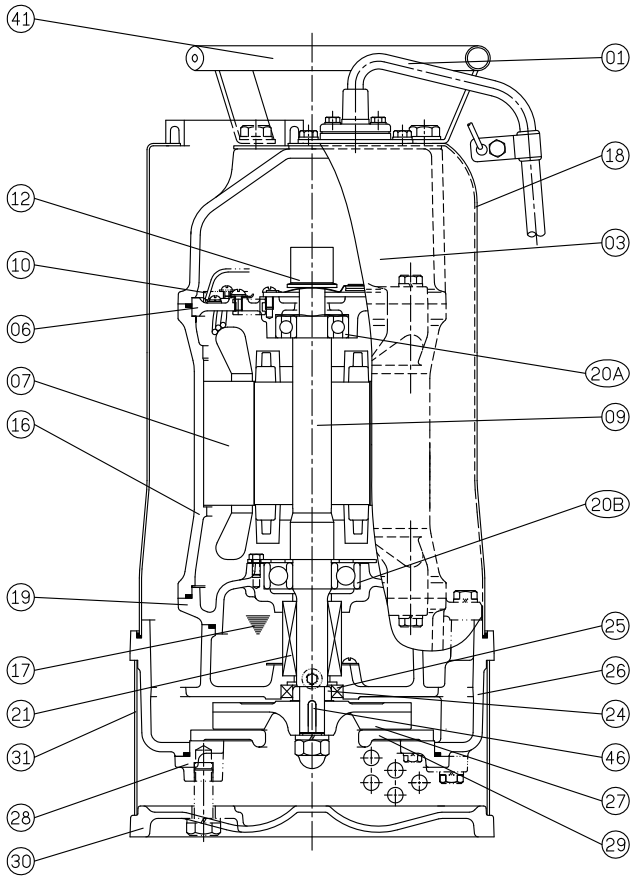
T 1300 662 787 | F 1300 662 717
22-24 Sommerville Circuit, Emu Plains NSW 2750
E sales@generalpumps.com.au www.generalpumps.com.au

Information subject to change without notice.

Models: **UMHDDN2200/50/3**
UAHDDN2200/50/3



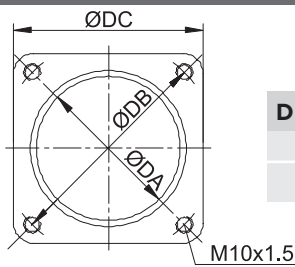
SECTIONAL DRAWING & MATERIALS LIST



PART NUMBER	DESCRIPTION	MATERIAL
01	Cable	H07RN-F
03	Upper Motor Cap	FC200 Cast Iron
06	Upper Bearing Housing (Motor cap and bearing housing one part on UMHDDN2200/50/3)	FC200 Cast Iron
07	Motor Stator	
09	Shaft (With Rotor)	(Shaft) Stainless Steel 403
10	Auto Cut Out Overload	
12	Transformer relay (UAHDDN2200/50/3)	
16	Motor Casing	FC200 Cast Iron
17	Lubricant	Turbine Oil
18	Outer Cover	304 Stainless Steel
19	Lower Bearing Housing	FC200 Cast Iron
20A & 20B	Upper Bearing & Lower Bearing	
21	Mechanical Seal	Upper: Carbon/Ceramic Lower: Silicon/Silicon
24	Oil Seal Bush	SUS403 Stainless Steel
25	Oil Seal	Nitrile
26	Pump Casing	FC200 Cast Iron
27	Impeller	Hi-Chromium
28	Suction Cover	Cast Iron FC-200
29	Wear Plate	Hi-Chromium
30	Base Foot	Cast Iron FC-200
31	Strainer	304 Stainless Steel
41	Handle	304 Stainless Steel
46	Impeller Key	304 Stainless Steel
47	O'rings	

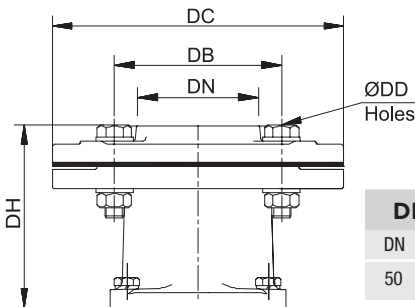
When ordering spare parts as above, simply add the pump model number to the part number from the list above. For example, a power lead (part '01'), the complete spare part name would be written as '01-UAHDDN2200/50/3'.

PUMP OUTLET DIMENSIONS



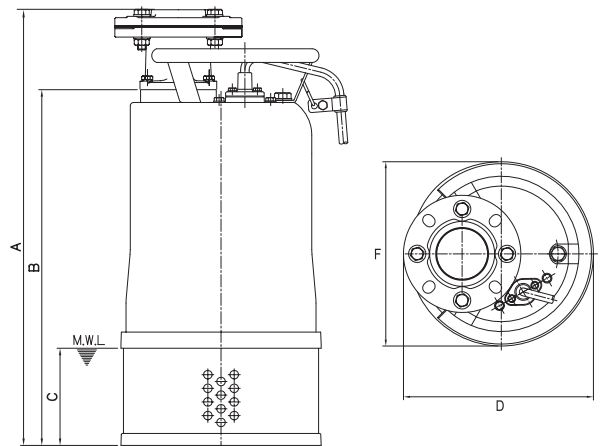
DIMENSIONS - mm		
DA	DB	DC
65	98	89

LKF2-120*98PT OUTLET FLANGE KIT DIMENSIONS



DIMENSIONS - mm				
DN	DB	DC	DD	DH
50	120	155	19	90

DIMENSIONAL DRAWING



DIMENSIONS - mm				
UAHDDN2200/50/3				
A	B	C	D	F
601	496	115	246	235
UMHDDN1500/50/3				
A	B	C	D	F
526	421	115	246	235

Information subject to change without notice.



T 1300 662 787 | F 1300 662 717
22-24 Somerville Circuit, Emu Plains NSW 2750
E sales@generalpumps.com.au www.generalpumps.com.au