



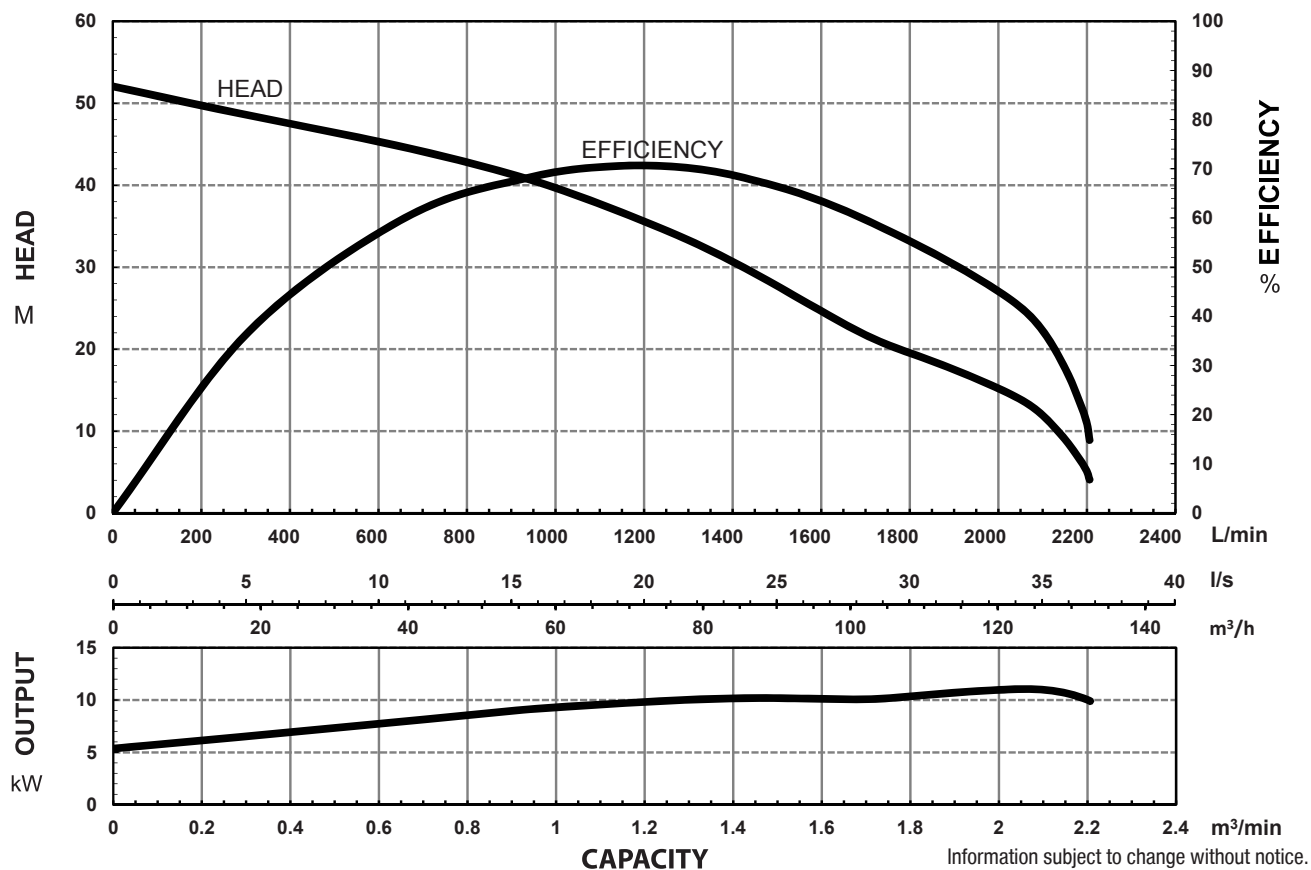
MODEL NUMBER STRUCTURE

U	Ultraflow
M	'M' indicates Manual, without floats witch
D	'D' indicates 'Drainage' series
N	'N' indicates New series
11000	Power consumption in 'Watts'
100	Outlet size
3	'3' indicates 415 volt three phase

SPECIFICATIONS

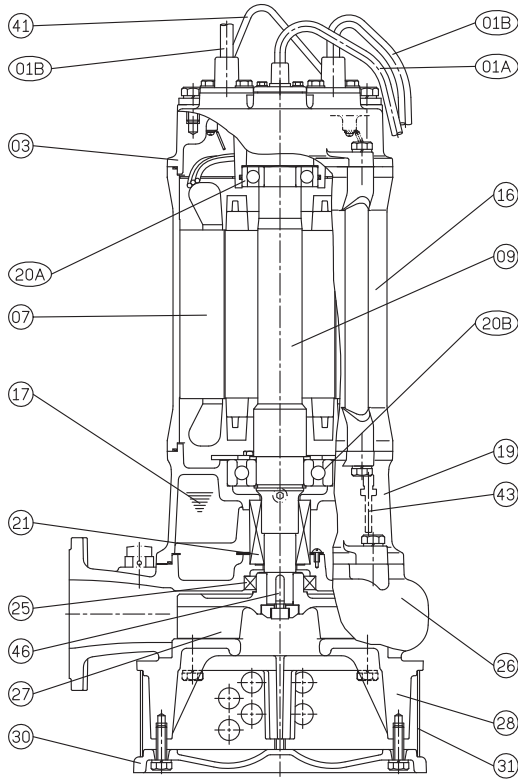
Power	11kW / 15HP
Frequency	50Hz
Discharge	100mm / 4 inch female BSP
Weight (Excl cable)	96Kg
Solid Passage	20 mm
Phase	3ø
Voltage	415
Full Load Amps	21.6
Maximum Liquid Temperature	0-40° C
Maximum Submersion Depth	10m (33 feet)
Motor type	Dry motor
Motor Speed	2 Pole (2800 rpm)
Motor Insulation	Class F
Motor Protection	IP68
Protector	Motor Thermal Switch & Moisture Sensor
Motor Bearings	Ball Type
Seal Method	Dual Mechanical seal Upper: Carbon/Ceramic Lower: Silicon/Silicon
Impeller Type	Semi-open
Motor Cover Construction	FC-200 Cast Iron
Motor Casing Construction	FC-200 Cast Iron
Motor Shaft Construction	420 Stainless Steel
Pump Casing Construction	FC-200 Cast Iron
Impeller Construction	FC-200 Cast Iron
Strainer Construction	304 Stainless Steel
Cable Material	H07RN-F

PERFORMANCE CURVES



Information subject to change without notice.

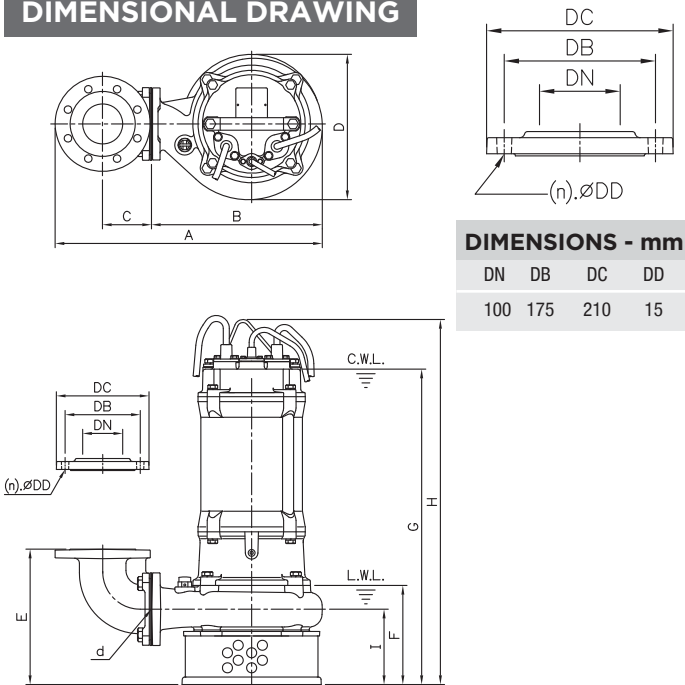
SECTIONAL DRAWING & MATERIALS LIST



PART NUMBER	DESCRIPTION	MATERIAL
01A	Sensor Cable	H07RN-F
01B	Power Cables	H07RN-F
03	Upper Motor Cap/ Bearing Housing	Cast Iron FC-200
07	Motor Stator	
09	Shaft (With Rotor)	(Shaft) Stainless Steel 420
10A	Auto Cut Out Overload	
10B	Auto Cut Out Overload Mounting Plate	
16	Motor Casing	Cast Iron FC-200
17	Lubricant	Turbine Oil
19	Lower Bearing Housing	Cast Iron FC-200
20A	Upper Bearing	
20B	Lower Bearing	
21	Mechanical Seal	Upper: Carbon/Ceramic Lower: Silicon/Silicon
25	Oil Seal	Nitrile
26	Pump Casing	Cast Iron FC-200
27	Impeller	Cast Iron FC-200
28	Suction Cover	Cast Iron FC-200
30	Pump Base Plate	Cast Iron FC-200
31	Strainer	304 Stainless Steel
41	Handle	Steel
43	Sensor	
46	Impeller Key	304 Stainless Steel
47	O'rings	
55	Oil Plug	304 Stainless Steel

When ordering spare parts as above, simply add the pump model number to the part number from the list above. For example, a power lead (part '01'), the complete spare part name would be written as '01-UMDZ11000/100/3'.

DIMENSIONAL DRAWING



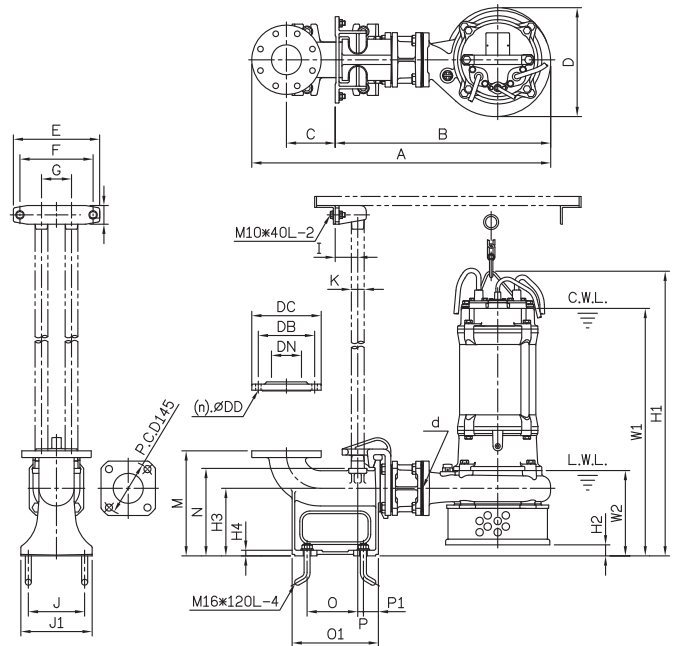
DIMENSIONS - mm

DN	DB	DC	DD
100	175	210	15

DIMENSIONS - UMDZ11000/100/3

d	A	B	C	D	E	F	G	H	I
80	565	342	113	290	282	198	630	729	151

GUIDE RAIL SYSTEM DIMENSIONS USING GR10080HP GUIDE RAIL KIT



DIMENSIONS - UMDZ11000/100/3

d	A	B	C	D	E	F	G	I	J	J1	K	L	M	N	O	O1	P	P1	W1	W2	H1	H2	H3	H4
80	829	574	150	290	230	195	80	60	170	210	32	50	285	233	155	250	15	40	660	228	759	30	180	15

Information subject to change without notice.