



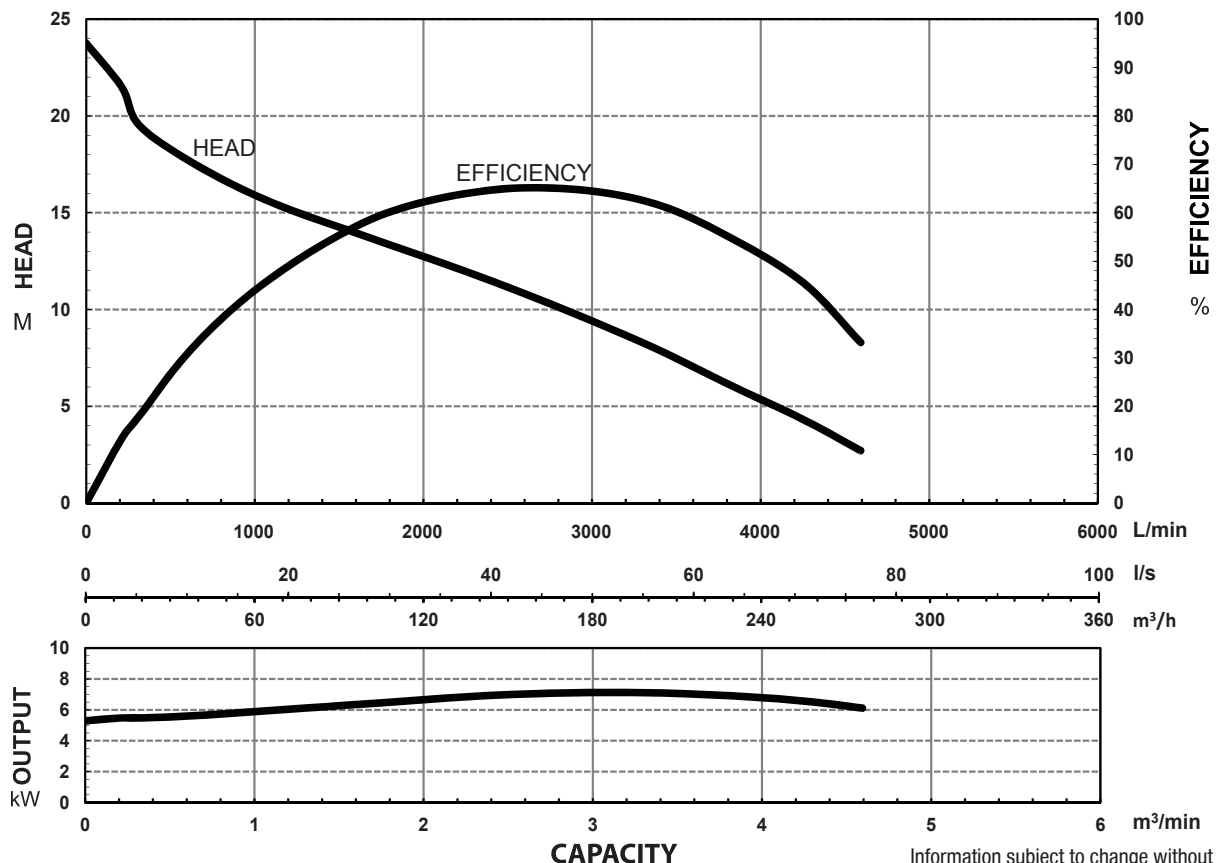
SPECIFICATIONS

Power	7.5kW / 10HP
Frequency	50Hz
Discharge	DIN PN16 150mm / 6 inch
Weight (Excl cable)	221Kg
Solid Passage	70 mm
Phase	3ø
Voltage	415
Full Load Amps	15.2
Maximum Liquid Temperature	0-40° C
Maximum Submersion Depth	30m (100 feet)
Motor type	Dry motor
Motor Speed	4 Pole (1440 rpm)
Motor Insulation	Class F
Motor Protection	IP68
Protector	Auto-Cut
Motor Bearings	Ball Type
Seal Method	Dual Mechanical seal Upper: Carbon/Ceramic Lower: Silicon/Silicon
Impeller Type	Semi-open
Motor Cover Construction	FC-200 Cast Iron
Motor Casing Construction	FC-200 Cast Iron
Motor Shaft Construction	420J2 Stainless Steel
Pump Casing Construction	FC-200 Cast Iron
Impeller Construction	FC-200 Cast Iron
Strainer Construction	FC-200 Cast Iron
Cable Material	H07RN-F

MODEL NUMBER STRUCTURE

U	Ultraflow
M	'M' indicates Manual, without floats witch
D	'D' indicates 'Drainage' series
N	'N' indicates New series
7500	Power consumption in 'Watts'
150	Outlet size
3	'3' indicates 415 volt three phase

PERFORMANCE CURVES

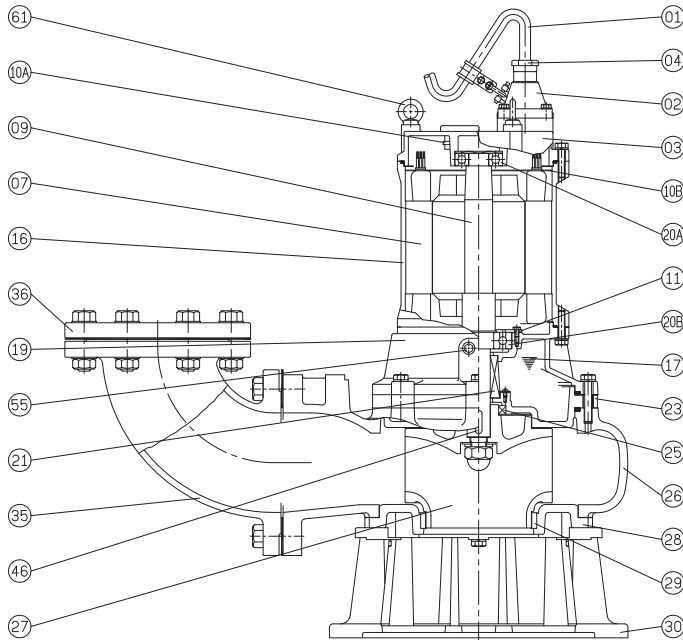


Information subject to change without notice.

Models: UMDN7500/150/3



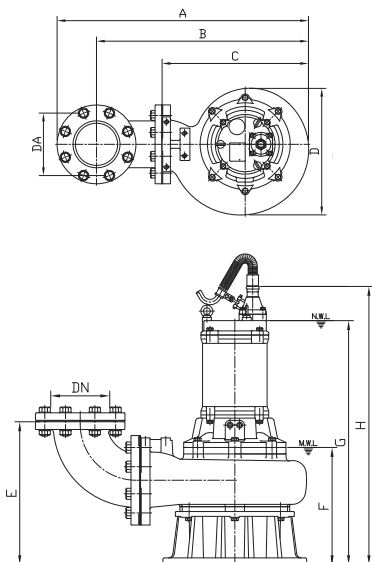
SECTIONAL DRAWING & MATERIALS LIST



PART NUMBER	DESCRIPTION	MATERIAL
01	Cable	H07RN-F
02	Cable Gland Base	
03	Upper Motor Cap/ Bearing Housing	Cast Iron FC-200
04	Cable Gland Base Cover	
07	Motor Stator	
09	Shaft (With Rotor)	420J2 Stainless Steel
10A	Auto Cut Out Overload	
10B	Auto Cut Out Overload	
11	Bearing fixer	
16	Motor Casing	Cast Iron FC-200
17	Lubricant	Turbine Oil
19	Lower Bearing Housing	Cast Iron FC-200
20A	Upper Bearing	
20B	Lower Bearing	
21	Mechanical Seal	Upper: Carbon/Ceramic Lower: Silicon/Silicon
23	Mechanical Seal Housing	Cast Iron FC-200
25	Oil Seal	Nitrile
26	Pump Casing	Cast Iron FC-200
27	Impeller	Cast Iron FC-200
28	Suction Cover	Cast Iron FC-200
29	Impeller Bush	Chrome Steel
30	Pump Base Plate	Cast Iron FCD-450
35	Outlet Elbow	Cast Iron FC-200
36	Outlet Flange	Cast Iron FC-200
46	Impeller Key	304 Stainless Steel
47	O'rings	
55	Oil Plug	304 Stainless Steel
61	Eye Bolt	304 Stainless Steel

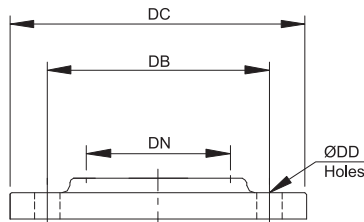
To order spare parts as above, it will be necessary to add the model number of the pump after the code listed above. For example, a power lead for a UMDN7500/150/3 would be written as '01-UMDN7500/150/3'.

DIMENSIONAL DRAWING



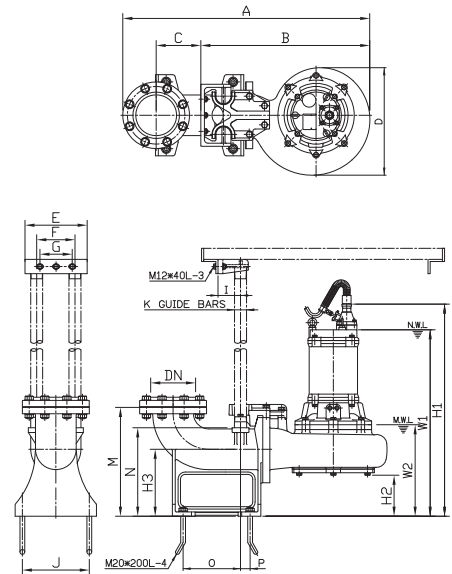
DIMENSIONS - UMDN7500/150/3							
A	B	C	D	E	F	G	H
850	710	521	450	450	367	764	871

ELBOW (FLANGE) SET EB6-240



DIMENSIONS - mm				
DN	DB	DC	DD	Holes
150	240	280	19	8

GUIDE RAIL SYSTEM DIMENSIONS USING GR150 GUIDE RAIL KIT



DIMENSIONS - UMDN7500/150/3																			
DN	A	B	C	D	E	F	G	I	J	K	M	N	O	P	W1	W2	H1	H2	H3
150	1035	708	187	449	260	160	135	95	280	50	455	370	240	40	779	382	887	167	280

Information subject to change without notice.



T 1300 662 787 | F 1300 662 717
 22-24 Somerville Circuit, Emu Plains NSW 2750
 E sales@generalpumps.com.au www.generalpumps.com.au