



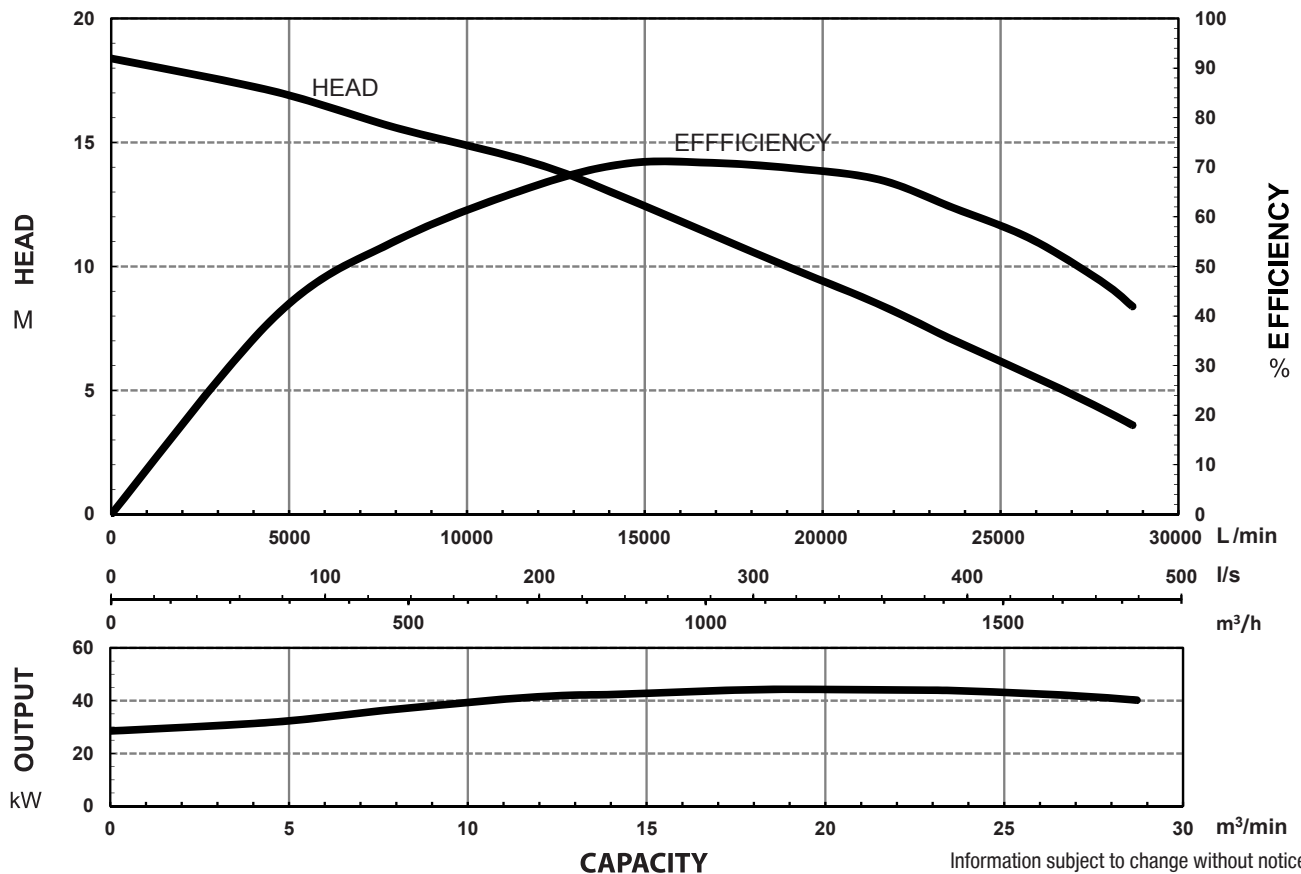
### MODEL NUMBER STRUCTURE

<b>U</b>	Ultraflow
<b>M</b>	'M' indicates Manual, without floats witch
<b>D</b>	'D' indicates 'Drainage' series
<b>N</b>	'N' indicates New series
<b>45000</b>	Power consumption in 'Watts'
<b>400</b>	Outlet size
<b>3</b>	'3' indicates 415 volt three phase

### SPECIFICATIONS

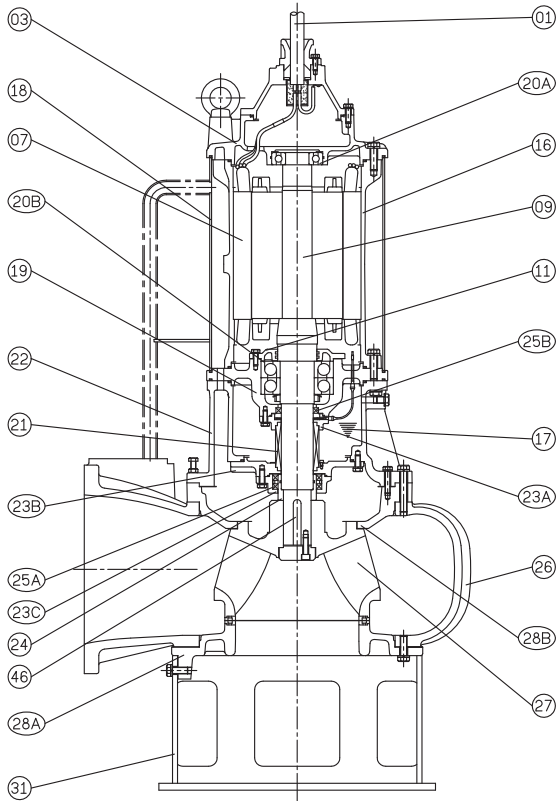
Power	45kW / 60HP
Frequency	50Hz
Discharge	400mm / 16 inch flanged
Weight (Excl cable)	970 Kg (excl discharge elbow)
Solid Passage	120 mm
Phase	3 $\phi$
Voltage	415
Full Load Amps	85.6
Maximum Liquid Temperature	0-40° C
Motor type	Dry motor
Motor Speed	6 Pole (1000 rpm)
Motor Insulation	Class F
Motor Protection	IP68
Protector	Motor Thermal Switch & Moisture Sensor
Motor Bearings	Ball Type
	Dual Mechanical seal
Seal Method	Upper: Carbon/Ceramic Lower: Silicon/Silicon
Impeller Type	Enclosed Channel
Motor Cover Construction	FC-200 Cast Iron
Motor Casing Construction	FC-200 Cast Iron
Motor Shaft Construction	420 Stainless Steel
Pump Casing Construction	FC-200 Cast Iron
Impeller Construction	FC-200 Cast Iron
Cable Material	H07RN-F

### PERFORMANCE CURVES



Information subject to change without notice.

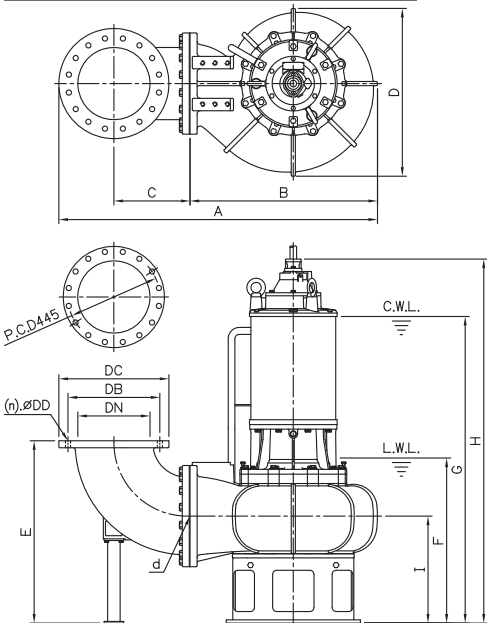
**SECTIONAL DRAWING & MATERIALS LIST**



PART NUMBER	DESCRIPTION	MATERIAL
01	Power & Sensor Cable	H07RN-F
03	Upper Motor Cap/ Bearing Housing	Cast Iron FC-200
07	Motor Stator	
09	Shaft (With Rotor)	(Shaft) Stainless Steel 420
11	Bearing Cover	Cast Iron FC-200
16	Motor Casing	Cast Iron FC-200
17	Lubricant	Turbine Oil
18	Outer Cooling Jacket	Stainless Steel 400
19	Lower Bearing Housing	Cast Iron FC-200
20A & 20B	Upper Bearing (A) Lower Bearing (B)	
21	Mechanical Seal	Upper: Carbon/Ceramic Lower: Silicon/Silicon
22	Mechanical Seal Housing	Cast Iron FC-200
23A	Upper Seal Seat	Cast Iron FC-200
23B & C	Lower Seal Housing and seat	Cast Iron FC-200
24	Shaft Sleeve	Stainless Steel 420
25A & 25B	Oil Seal	Nitrile
26	Pump Casing	Cast Iron FC-200
27	Impeller	Cast Iron FC-200
28A	Suction Cover	Cast Iron FC-200
28B	Upper Casing Cover	Cast Iron FC-200
31	Strainer	Stainless Steel SS400
43A	Sensor	
46	Impeller Key	304 Stainless Steel
47	O'rings	
55	Oil Plug	304 Stainless Steel

When ordering spare parts as above, simply add the pump model number to the part number from the list above. For example, a power lead (part '01'). the complete spare part name would be written as '01-UMDN45000/400/3'.

**DIMENSIONAL DRAWING**

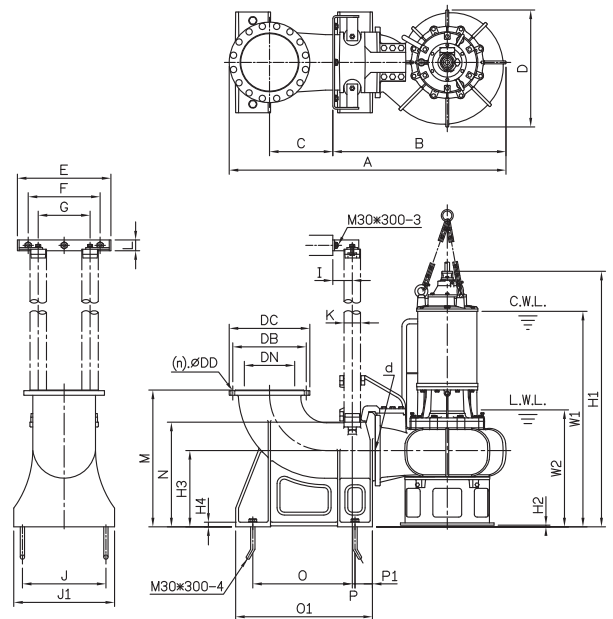


**DIMENSIONS - mm**

DN	DB	DC	DD
350	510	560	25

DIMENSIONS - UMDN45000/400/3									
d	A	B	C	D	E	F	G	H	I
350	1558	908	369	813	883	800	1485	1763	518

**GUIDE RAIL SYSTEM DIMENSIONS USING GR400 GUIDE RAIL KIT**



**DIMENSIONS - UMDN45000/400/3**

d	A	B	C	D	E	F	G	I	J	J1	K	L	M	N	O	O1	P	P1	W1	W2	H	H2	H3	H4
350	1923	1203	440	813	650	500	360	135	580	700	100	75	950	727	691	950	19	121	1497	812	1775	273	530	32

Information subject to change without notice.