



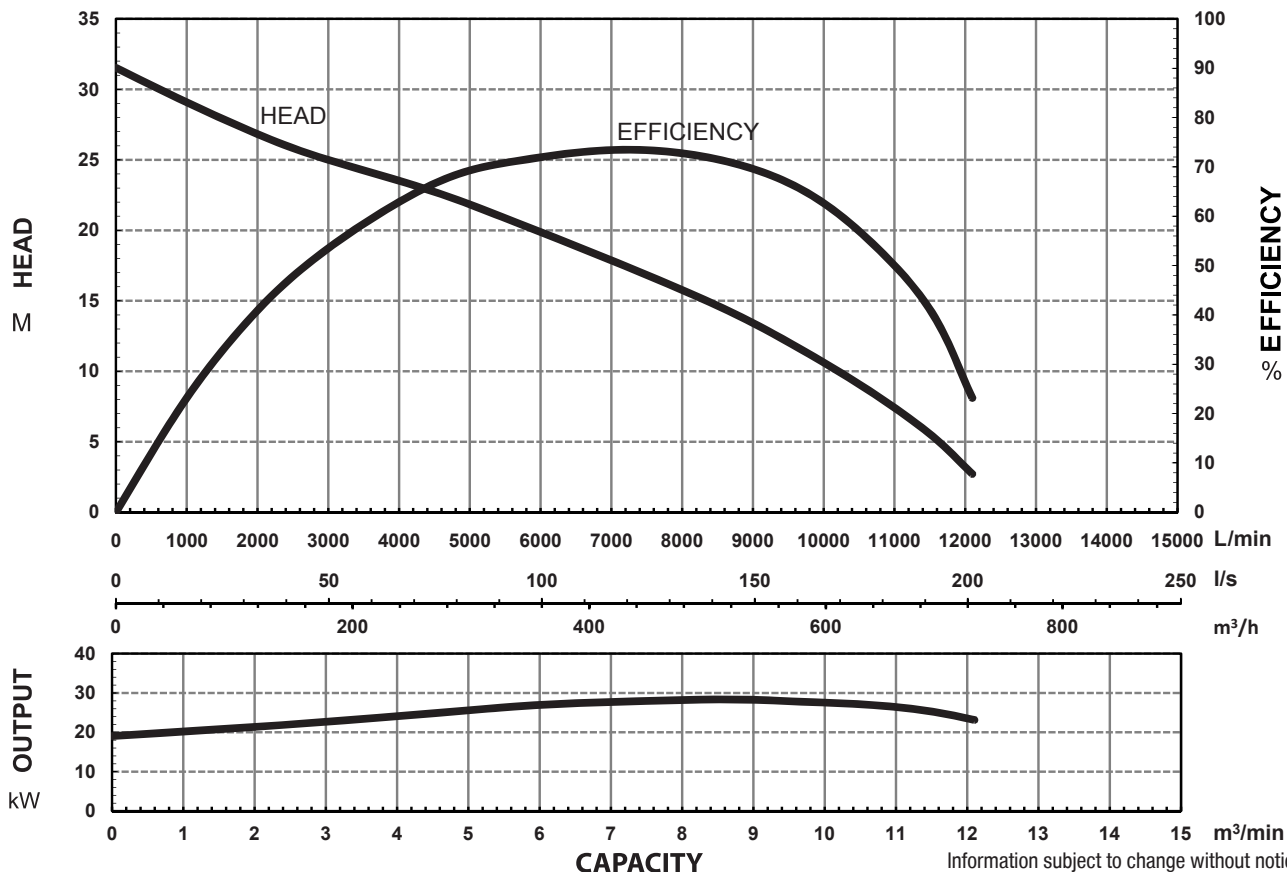
SPECIFICATIONS

Power	30kW / 40HP
Frequency	50Hz
Discharge	250mm / 10 inch angled
Weight (Excl cable)	720 Kg
Solid Passage	60 mm
Phase	3 ϕ
Voltage	415
Full Load Amps	57.0
Maximum Liquid Temperature	0-40° C
Motor type	Dry motor
Motor Speed	4 Pole (1440 rpm)
Motor Insulation	Class F
Motor Protection	IP68
Protector	Motor Thermal Switch & Moisture Sensor
Motor Bearings	Ball Type
	Dual Mechanical seal
Seal Method	Upper: Carbon/Ceramic Lower: Silicon/Silicon
Impeller Type	Enclosed Channel
Motor Cover Construction	FC-200 Cast Iron
Motor Casing Construction	FC-200 Cast Iron
Motor Shaft Construction	420 Stainless Steel
Pump Casing Construction	FC-200 Cast Iron
Impeller Construction	FC-200 Cast Iron
Cable Material	H07RN-F

MODEL NUMBER STRUCTURE

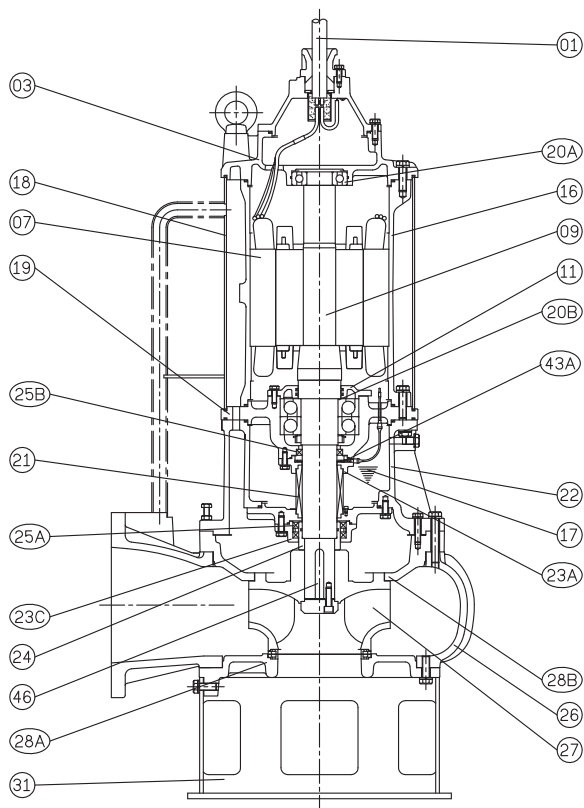
U	Ultraflow
M	'M' indicates Manual, without floats witch
D	'D' indicates 'Drainage' series
N	'N' indicates New series
30000	Power consumption in 'Watts'
250	Outlet size
3	'3' indicates 415 volt three phase

PERFORMANCE CURVES



Information subject to change without notice.

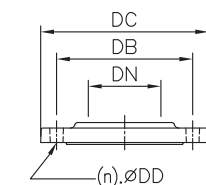
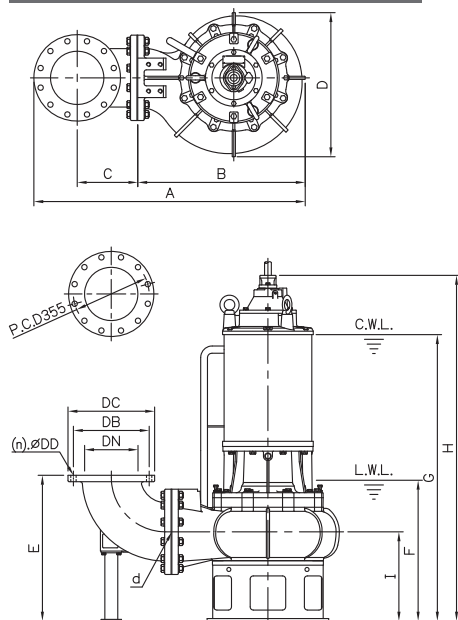
SECTIONAL DRAWING & MATERIALS LIST



PART NUMBER	DESCRIPTION	MATERIAL
01	Power & Sensor Cable	H07RN-F
03	Upper Motor Cap/ Bearing Housing	Cast Iron FC-200
07	Motor Stator	
09	Shaft (With Rotor)	(Shaft) Stainless Steel 420
11	Bearing Cover	Cast Iron FC-200
16	Motor Casing	Cast Iron FC-200
17	Lubricant	Turbine Oil
18	Outer Cooling Jacket	Stainless Steel 400
19	Lower Bearing Housing	Cast Iron FC-200
20A & 20B	Upper Bearing (A) Lower Bearing (B)	
21	Mechanical Seal	Upper: Carbon/Ceramic Lower: Silicon/Silicon
22	Mechanical Seal Housing	Cast Iron FC-200
23A	Upper Seal Seat	Cast Iron FC-200
23C	Lower Seal Seat	Cast Iron FC-200
24	Shaft Sleeve	Stainless Steel 420
25A & 25B	Oil Seal	Nitrile
26	Pump Casing	Cast Iron FC-200
27	Impeller	Cast Iron FC-200
28A	Suction Cover	Cast Iron FC-200
28B	Upper Casing Cover	Cast Iron FC-200
31	Strainer	Stainless Steel SS400
43A	Sensor	
46	Impeller Key	304 Stainless Steel
47	O'rings	
55	Oil Plug	304 Stainless Steel

When ordering spare parts as above, simply add the pump model number to the part number from the list above. For example, a power lead (part '01'). the complete spare part name would be written as '01-UMDN30000/250/3'.

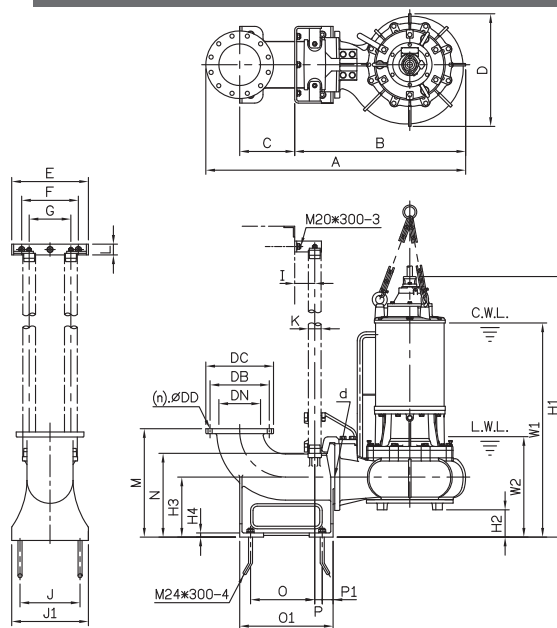
DIMENSIONAL DRAWING



DIMENSIONS - mm

DN	DB	DC	DD
250	355	406	25

GUIDE RAIL SYSTEM DIMENSIONS USING GR250 GUIDE RAIL KIT



DIMENSIONS - UMDN30000/250/3

d	A	B	C	D	E	F	G	I	J	J1	K	L	M	N	O	O1	P	P1	W1	W2	H	H1	H2	H3	H4
250	1558	1025	330	676	460	340	250	120	360	460	65	65	650	502	385	560	45	65	1283	602	1562	164	360	25	

Information subject to change without notice.