

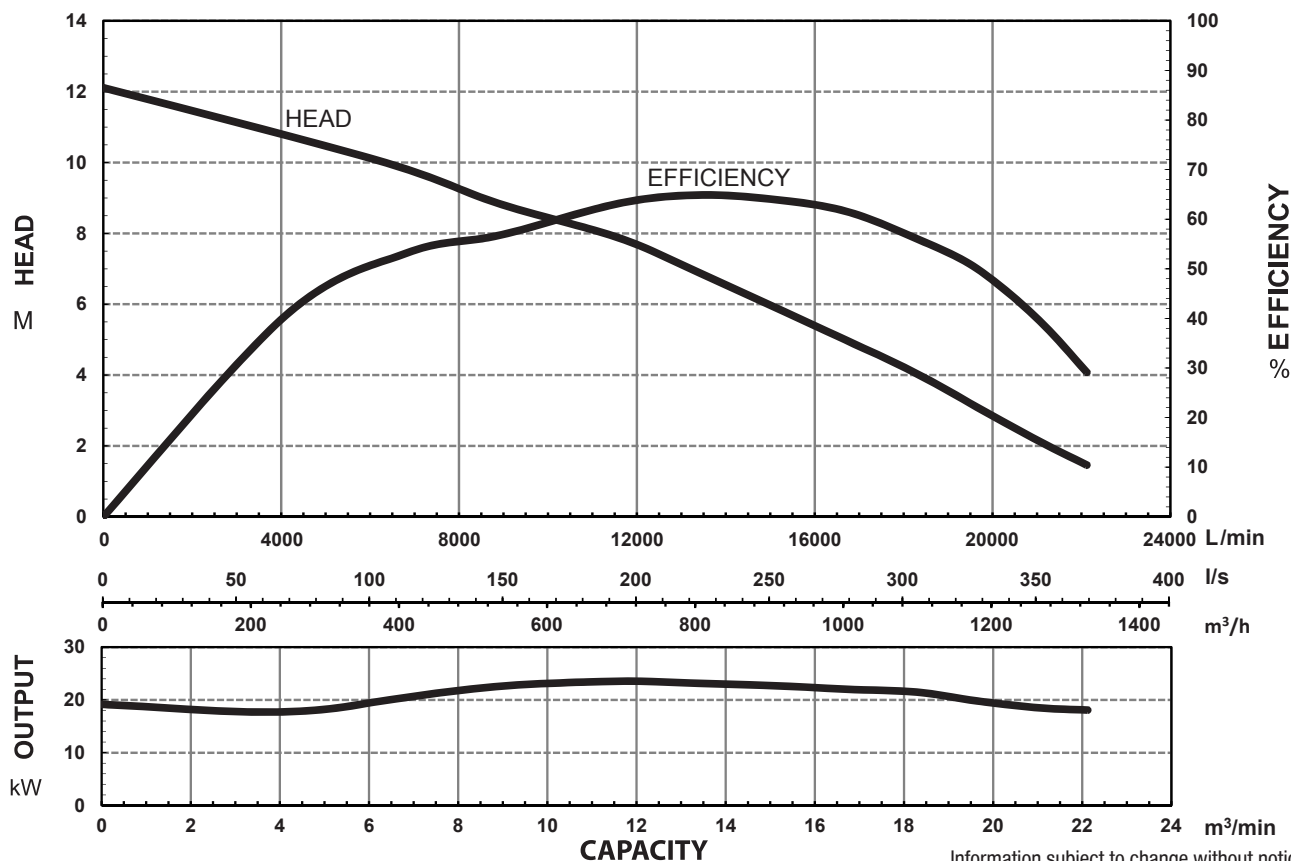
SPECIFICATIONS

Power	22kW / 30HP
Frequency	50Hz
Discharge	350mm / 14 inch Flanged
Weight (Excl cable)	833 Kg (excl discharge elbow)
Solid Passage	120 mm
Phase	3ø
Voltage	415
Full Load Amps	44.4
Maximum Liquid Temperature	0-40° C
Motor type	Dry motor
Motor Speed	6 Pole (1000 rpm)
Motor Insulation	Class F
Motor Protection	IP68
Protector	Motor Thermal Switch & Moisture Sensor
Motor Bearings	Ball Type
Seal Method	Dual Mechanical seal Upper: Carbon/Ceramic Lower: Silicon/Silicon
Impeller Type	Enclosed Channel
Motor Cover Construction	FC-200 Cast Iron
Motor Casing Construction	FC-200 Cast Iron
Motor Shaft Construction	420 Stainless Steel
Pump Casing Construction	FC-200 Cast Iron
Impeller Construction	FC-200 Cast Iron
Cable Material	H07RN-F

MODEL NUMBER STRUCTURE

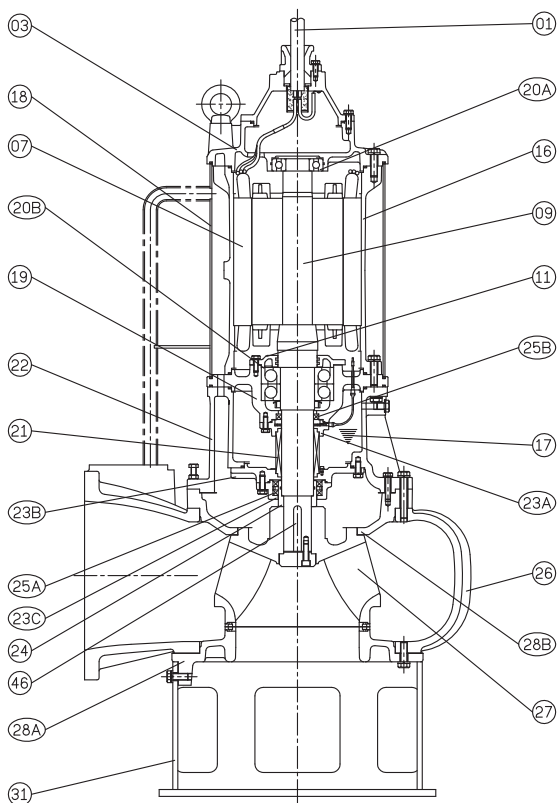
U	Ultraflow
M	'M' indicates Manual, without floats witch
D	'D' indicates 'Drainage' series
N	'N' indicates New series
22000	Power consumption in 'Watts'
350	Outlet size
3	'3' indicates 415 volt three phase

PERFORMANCE CURVES



Information subject to change without notice.

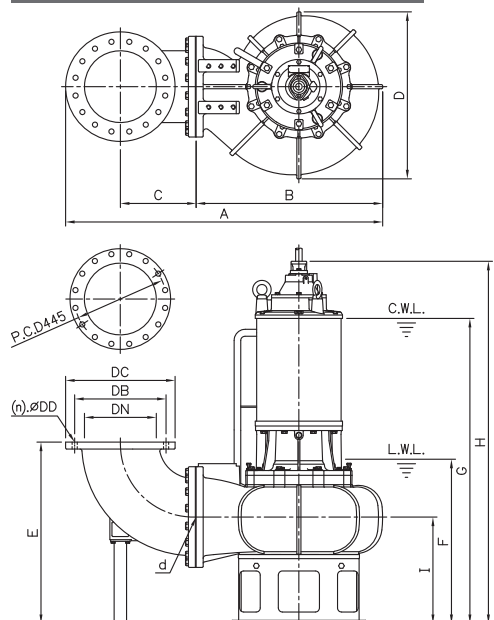
SECTIONAL DRAWING & MATERIALS LIST



PART NUMBER	DESCRIPTION	MATERIAL
01	Power & Sensor Cable	H07RN-F
03	Upper Motor Cap/ Bearing Housing	Cast Iron FC-200
07	Motor Stator	
09	Shaft (With Rotor)	(Shaft) Stainless Steel 420
11	Bearing Cover	Cast Iron FC-200
16	Motor Casing	Cast Iron FC-200
17	Lubricant	Turbine Oil
18	Outer Cooling Jacket	Stainless Steel 400
19	Lower Bearing Housing	Cast Iron FC-200
20A & 20B	Upper Bearing (A) Lower Bearing (B)	
21	Mechanical Seal	Upper: Carbon/Ceramic Lower: Silicon/Silicon
22	Mechanical Seal Housing	Cast Iron FC-200
23A	Upper Seal Seat	Cast Iron FC-200
23B & C	Lower Seal Housing and seat	Cast Iron FC-200
24	Shaft Sleeve	Stainless Steel 420
25A & 25B	Oil Seal	Nitrile
26	Pump Casing	Cast Iron FC-200
27	Impeller	Cast Iron FC-200
28A	Suction Cover	Cast Iron FC-200
28B	Upper Casing Cover	Cast Iron FC-200
31	Strainer	Stainless Steel SS400
43A	Sensor	
46	Impeller Key	304 Stainless Steel
47	O'rings	
55	Oil Plug	304 Stainless Steel

When ordering spare parts as above, simply add the pump model number to the part number from the list above. For example, a power lead (part '01'). the complete spare part name would be written as '01-UMDZ22000/350/3'.

DIMENSIONAL DRAWING



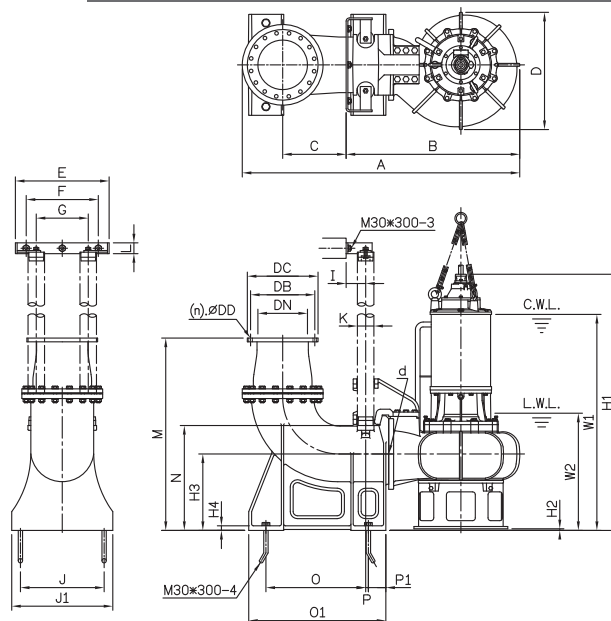
DIMENSIONS - mm

DN	DB	DC	DD
350	445	533	25

DIMENSIONS - UMDN22000/350/3

d	A	B	C	D	E	F	G	H	I
350	1544	908	369	813	883	800	1485	1763	518

GUIDE RAIL SYSTEM DIMENSIONS USING GR400350 GUIDE RAIL KIT



DIMENSIONS - UMDN22000/350/3

d	A	B	C	D	E	F	G	I	J	J1	K	L	M	N	O	O1	P	P1	W1	W2	H	H2	H3	H4
350	1923	1203	440	813	650	500	360	135	580	700	100	75	1333	727	691	950	19	121	1497	812	1775	273	530	32

Information subject to change without notice.