



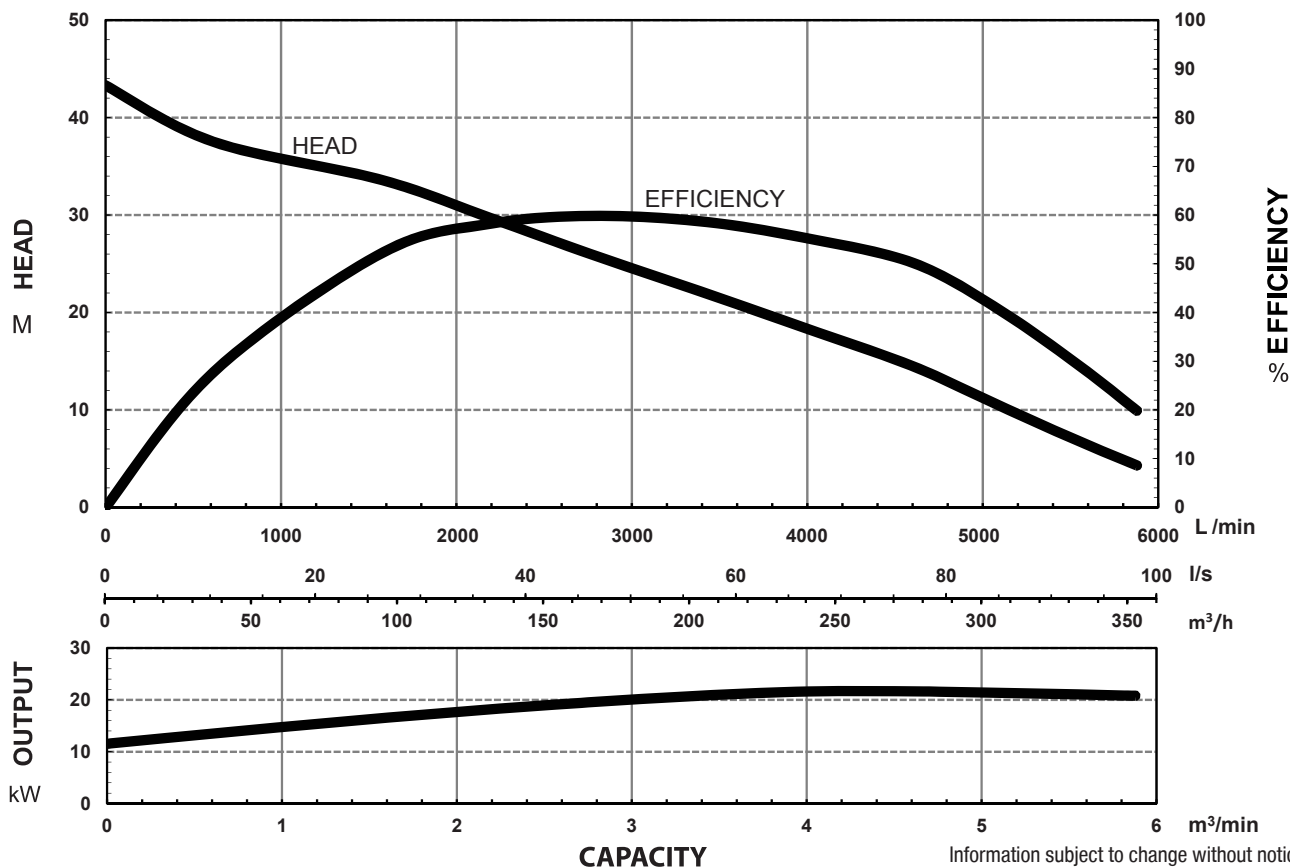
**SPECIFICATIONS**

Power	22kW / 30HP
Frequency	50Hz
Discharge	250mm / 10 inch Flanged
Weight (Excl cable)	240 Kg
Solid Passage	76 mm
Phase	3ø
Voltage	415
Full Load Amps	42
Maximum Liquid Temperature	0-40° C
Motor type	Dry motor
Motor Speed	4 Pole (1440 rpm)
Motor Insulation	Class F
Motor Protection	IP68
Protector	Motor Thermal Switch & Moisture Sensor
Motor Bearings	Ball Type
	Dual Mechanical seal
Seal Method	Upper: Carbon/Ceramic Lower: Silicon/Silicon
Impeller Type	Enclosed Channel
Motor Cover Construction	FC-200 Cast Iron
Motor Casing Construction	FC-200 Cast Iron
Motor Shaft Construction	420 Stainless Steel
Pump Casing Construction	FC-200 Cast Iron
Impeller Construction	FC-200 Cast Iron
Cable Material	H07RN-F

**MODEL NUMBER STRUCTURE**

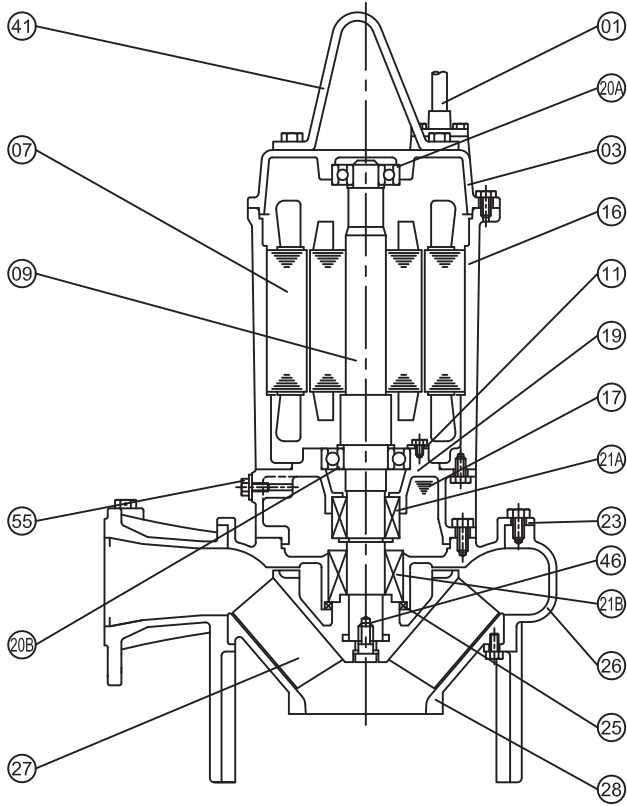
<b>U</b>	Ultraflow
<b>M</b>	'M' indicates Manual, without floats witch
<b>D</b>	'D' indicates 'Drainage' series
<b>N</b>	'N' indicates New series
<b>22000</b>	Power consumption in 'Watts'
<b>200</b>	Outlet size
<b>3</b>	'3' indicates 415 volt three phase

**PERFORMANCE CURVES**



Information subject to change without notice.

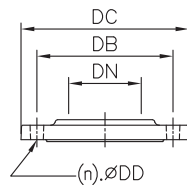
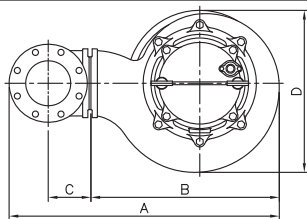
**SECTIONAL DRAWING & MATERIALS LIST**



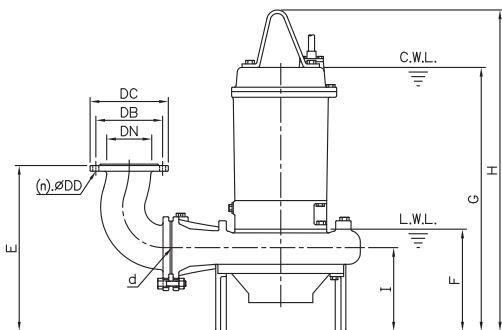
PART NUMBER	DESCRIPTION	MATERIAL
01	Power & Sensor Cable	H07RN-F
03	Upper Motor Cap/ Bearing Housing	Cast Iron FC-200
07	Motor Stator	
09	Shaft (With Rotor)	(Shaft) Stainless Steel 420
11	Bearing Cover	Cast Iron FC-200
16	Motor Casing	Cast Iron FC-200
17	Lubricant	Turbine Oil
19	Lower Bearing Housing	Cast Iron FC-200
20A & 20B	Upper Bearing (A) Lower Bearing (B)	
21A & B	Mechanical Seal	Upper: Carbon/Ceramic Lower: Silicon/Silicon
23	Lower Seal Housing	Cast Iron FC-200
25	Oil Seal	Nitrile
26	Pump Casing	Cast Iron FC-200
27	Impeller	Cast Iron FC-200
28	Suction Cover	Cast Iron FC-200
41	Strainer	Stainless Steel SS400
46	Impeller Key	304 Stainless Steel
47	O'rings	
55	Oil Plug	304 Stainless Steel

When ordering spare parts as above, simply add the pump model number to the part number from the list above. For example, a power lead (part '01'), the complete spare part name would be written as '01-UMDN22000/250/3'.

**DIMENSIONAL DRAWING**



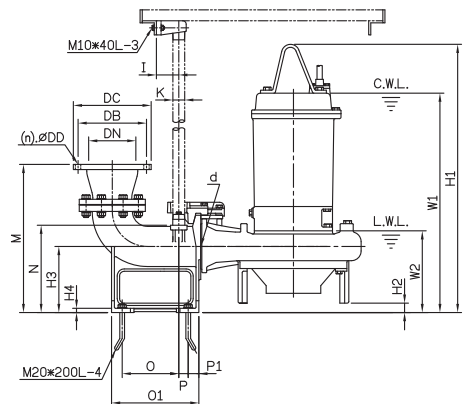
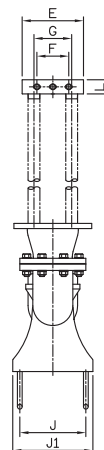
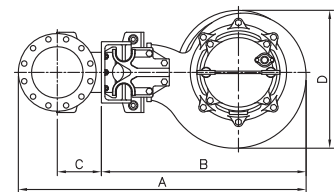
DIMENSIONS - mm				
DN	DB	DC	DD	
200	295	340	23	



**DIMENSIONS - UMDN22000/200/3**

d	A	B	C	D	E	F	G	H	I
200	932	617	150	512	415	285	951	1001	240

**GUIDE RAIL SYSTEM DIMENSIONS USING GR150200 GUIDE RAIL KIT**



**DIMENSIONS - UMDN22000/200/3**

d	A	B	C	D	E	F	G	I	J	J1	K	L	M	N	O	O1	P	P1	W1	W2	H	H2	H3	H4
150	1157	805	187	512	260	135	160	95	280	340	50	60	628	502	240	370	40	45	991	325	1041	40	280	18

Information subject to change without notice.