



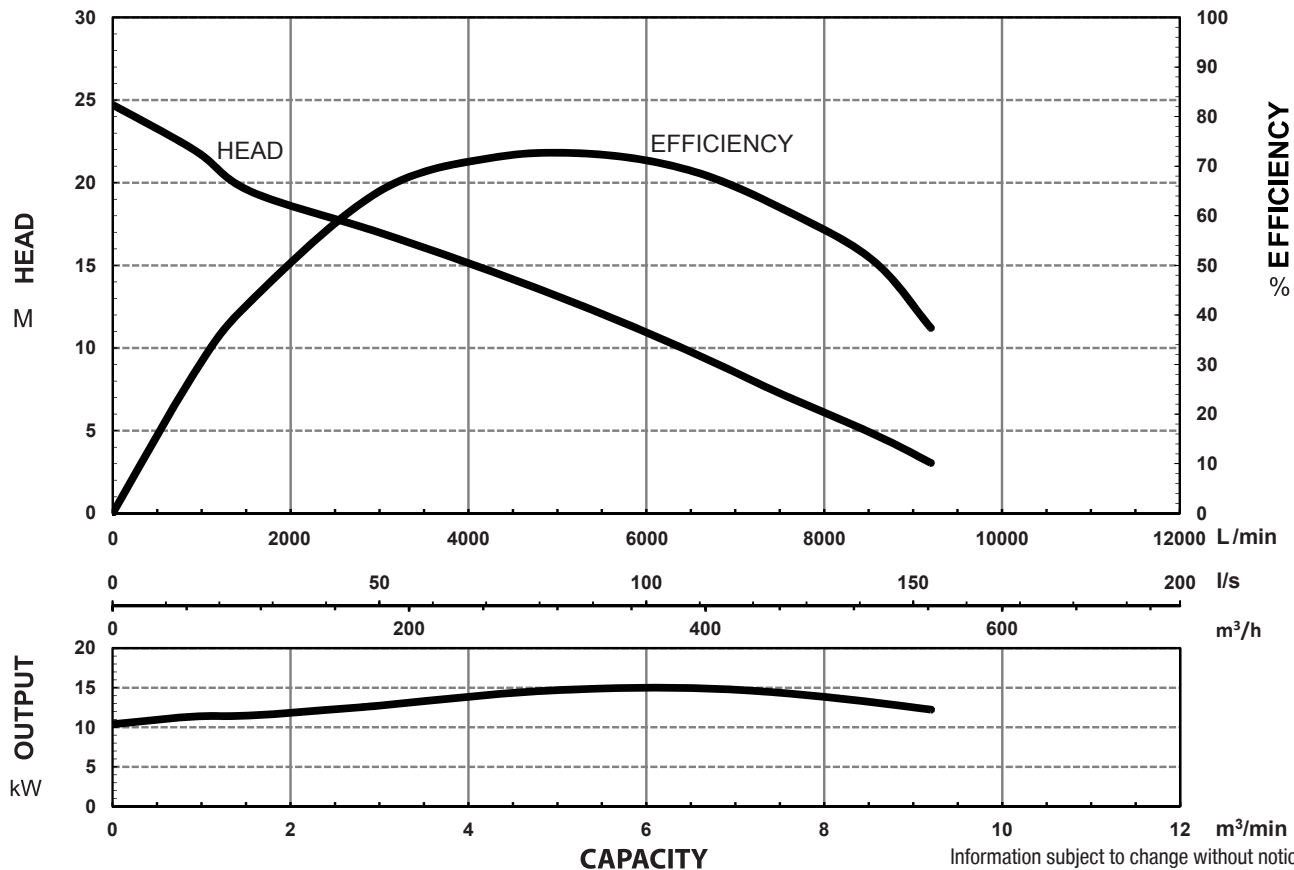
SPECIFICATIONS

Power	15kW / 20HP
Frequency	50Hz
Discharge	200mm / 8 inch angled
Weight (Excl cable)	254 Kg
Solid Passage	75 mm
Phase	3ø
Voltage	415
Full Load Amps	30.4
Maximum Liquid Temperature	0-40° C
Maximum Submersion Depth	10m (33 feet)
Motor type	Dry motor
Motor Speed	4 Pole (1440 rpm)
Motor Insulation	Class F
Motor Protection	IP68
Protector	Motor Thermal Switch & Moisture Sensor
Motor Bearings	Ball Type
	Dual Mechanical seal
Seal Method	Upper: Carbon/Ceramic Lower: Silicon/Silicon
Impeller Type	Enclosed Channel
Motor Cover Construction	FC-200 Cast Iron
Motor Casing Construction	FC-200 Cast Iron
Motor Shaft Construction	420 Stainless Steel
Pump Casing Construction	FC-200 Cast Iron
Impeller Construction	FC-200 Cast Iron
Cable Material	H07RN-F

MODEL NUMBER STRUCTURE

U	Ultraflow
M	'M' indicates Manual, without floats witch
D	'D' indicates 'Drainage' series
N	'N' indicates New series
15000	Power consumption in 'Watts'
200	Outlet size
3	'3' indicates 415 volt three phase

PERFORMANCE CURVES

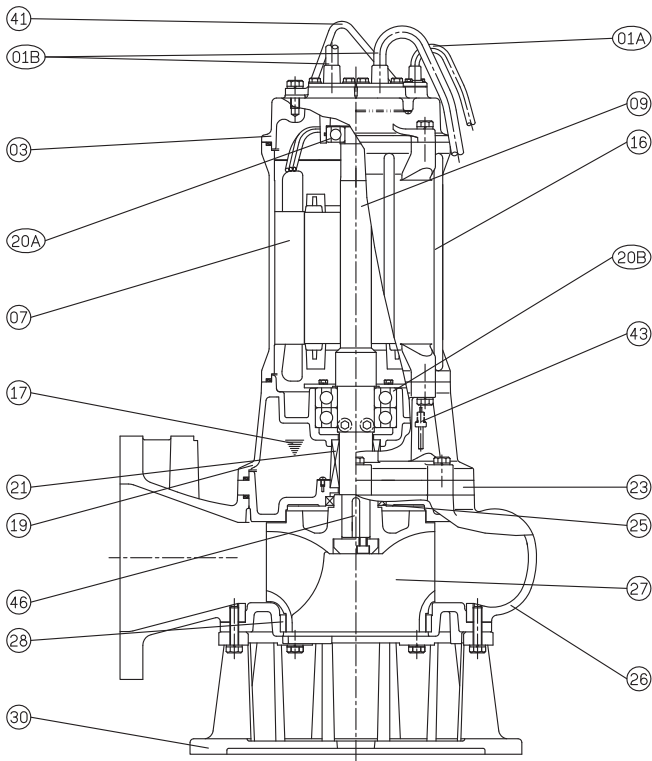


Information subject to change without notice.

Models: UMDN15000/200/3



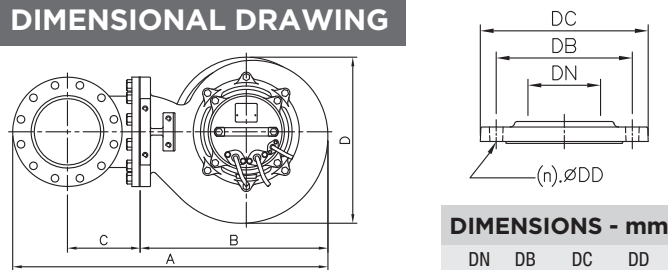
SECTIONAL DRAWING & MATERIALS LIST



PART NUMBER	DESCRIPTION	MATERIAL
01A	Power Cable	H07RN-F
01B	Signal Cable	
03	Upper Motor Cap/ Bearing Housing	Cast Iron FC-200
07	Motor Stator	
09	Shaft (With Rotor)	(Shaft) Stainless Steel 420
10A	Auto Cut Out Overload	
10B	Auto Cut Out Overload	
16	Motor Casing	Cast Iron FC-200
17	Lubricant	Turbine Oil
19	Lower Bearing Housing	Cast Iron FC-200
20A	Upper Bearing	
20B	Lower Bearing	
21	Mechanical Seal	Upper: Carbon/Ceramic Lower: Silicon/Silicon
23	Mechanical Seal Housing	Cast Iron FC-200
25	Oil Seal	Nitrile
26	Pump Casing	Cast Iron FC-200
27	Impeller	Cast Iron FC-200
28	Suction Cover	Cast Iron FC-200
30	Pump Base Plate	Cast Iron FC-200
41	Handle	Stainless steel
43	Sensor	
46	Impeller Key	304 Stainless Steel
47	O'rings	
55	Oil Plug	304 Stainless Steel

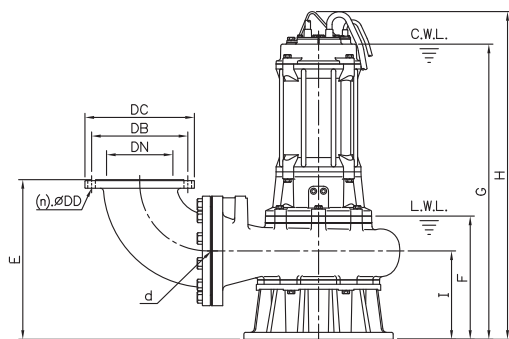
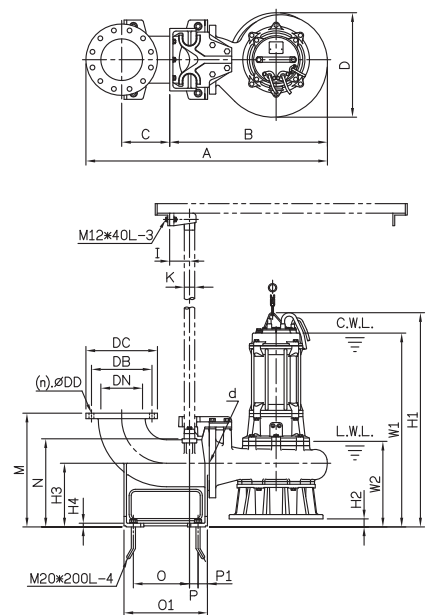
When ordering spare parts as above, simply add the pump model number to the part number from the list above. For example, a power lead (part '01'). the complete spare part name would be written as '01-UMDN15000/200/3'.

DIMENSIONAL DRAWING



DIMENSIONS - mm			
DN	DB	DC	DD
200	290	330	23

GUIDE RAIL SYSTEM DIMENSIONS USING GR200 GUIDE RAIL KIT



DIMENSIONS - UMDN15000/200/3

d	A	B	C	D	E	F	G	H	I
200	950	566	219	501	483	372	890	988	267

DIMENSIONS - UMDN15000/200/3

d	A	B	C	D	E	F	G	I	J	J1	K	L	M	N	O	O1	P	P1	W1	W2	H1	H2	H3	H4
200	1158	756	230	490	300	175	200	95	320	380	50	60	545	423	269	400	41	45	929	410	1027	188	305	18

Information subject to change without notice.



T 1300 662 787 | F 1300 662 717
 22-24 Somerville Circuit, Emu Plains NSW 2750
 E sales@generalpumps.com.au www.generalpumps.com.au