



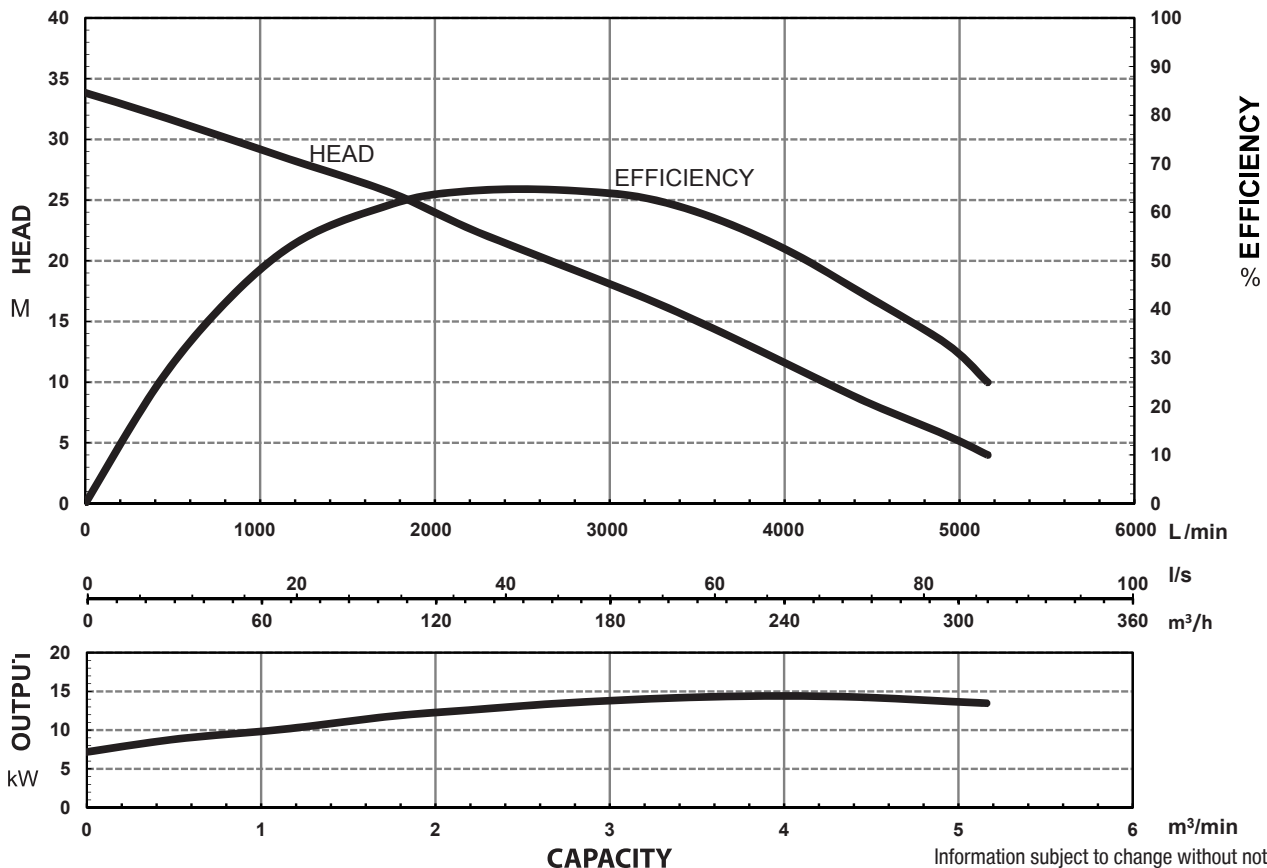
SPECIFICATIONS

Power	15kW / 20HP
Frequency	50Hz
Discharge	150mm / 6 inch angled
Weight (Excl cable)	173 Kg
Solid Passage	76 mm
Phase	3ø
Voltage	415
Full Load Amps	30.4
Maximum Liquid Temperature	0-40° C
Maximum Submersion Depth	10m (33 feet)
Motor type	Dry motor
Motor Speed	4 Pole (1440 rpm)
Motor Insulation	Class F
Motor Protection	IP68
Protector	Motor Thermal Switch & Moisture Sensor
Motor Bearings	Ball Type
	Dual Mechanical seal
Seal Method	Upper: Carbon/Ceramic
	Lower: Silicon/Silicon
Impeller Type	Enclosed Channel
Motor Cover Construction	FC-200 Cast Iron
Motor Casing Construction	FC-200 Cast Iron
Motor Shaft Construction	420 Stainless Steel
Pump Casing Construction	FC-200 Cast Iron
Impeller Construction	FC-200 Cast Iron
Cable Material	H07RN-F

MODEL NUMBER STRUCTURE

U	Ultraflow
M	'M' indicates Manual, without floats witch
D	'D' indicates 'Drainage' series
N	'N' indicates New series
15000	Power consumption in 'Watts'
150	Outlet size
3	'3' indicates 415 volt three phase

PERFORMANCE CURVES

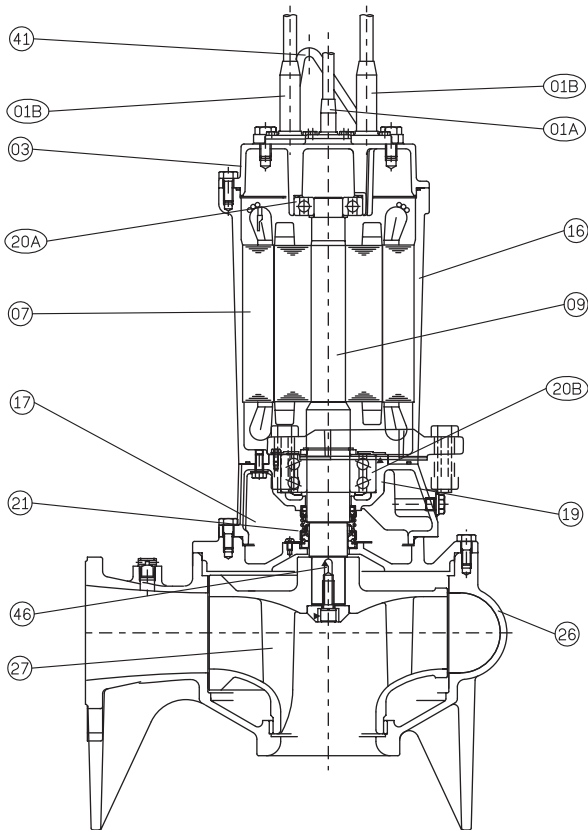


Information subject to change without notice.

Models: UMDN15000/150/3



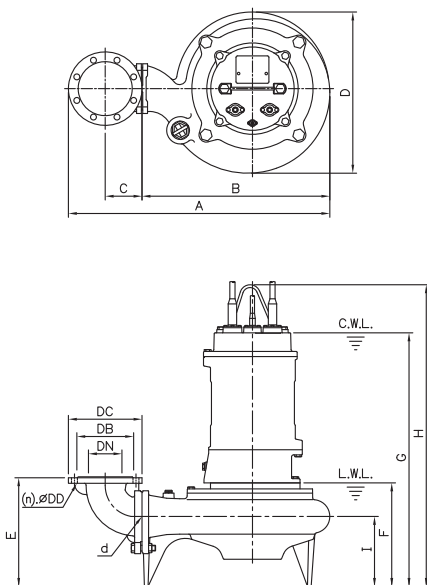
SECTIONAL DRAWING & MATERIALS LIST



PART NUMBER	DESCRIPTION	MATERIAL
01A	Power Cable	H07RN-F
01B	Signal Cable	H07RN-F
03	Upper Motor Cap/ Bearing Housing	Cast Iron FC-200
07	Motor Stator	
09	Shaft (With Rotor)	(Shaft) Stainless Steel 403
16	Motor Casing	Cast Iron FC-200
17	Lubricant	Turbine Oil
19	Lower Bearing Housing	Cast Iron FC-200
20A	Upper Bearing	
20B	Lower Bearing	
21	Mechanical Seal	Upper: Carbon/Ceramic Lower: Silicon/Silicon
26	Pump Casing	Cast Iron FC-200
27	Impeller	Cast Iron FC-200
41	Handle	
46	Impeller Key	304 Stainless Steel
47	O'rings	
55	Oil Plug	304 Stainless Steel

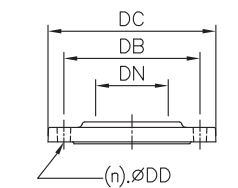
When ordering spare parts as above, simply add the pump model number to the part number from the list above. For example, a power lead (part '01'), the complete spare part name would be written as '01-UMDZ15000/150/3'.

DIMENSIONAL DRAWING

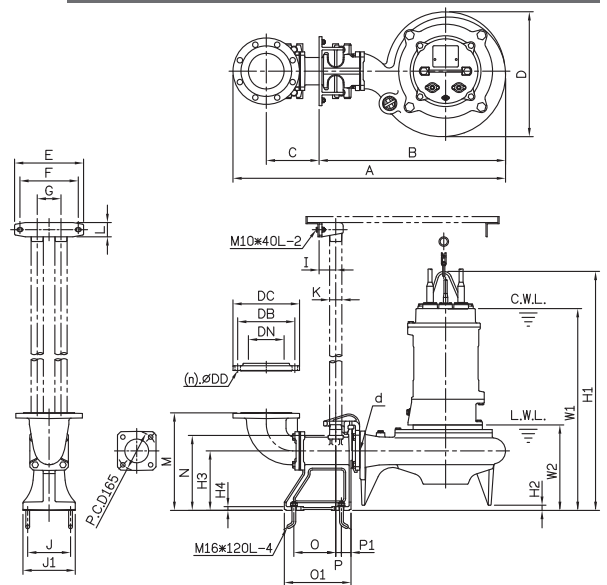


DIMENSIONS - UMDZ15000/150/3									
d	A	B	C	D	E	F	G	H	I
150	808	536	130	455	385	329	778	938	225

GUIDE RAIL SYSTEM DIMENSIONS USING GR100E150 GUIDE RAIL KIT



DIMENSIONS - mm			
DN	DB	DC	DD
150	240	280	23



DIMENSIONS - UMDZ15000/150/3																								
d	A	B	C	D	E	F	G	I	J	J1	K	L	M	N	O	O1	P	P1	W1	W2	H	H2	H3	H4
150	1073	710	192	455	290	245	100	70	180	220	50	60	410	315	176	280	24	40	813	364	973	25	250	16

Information subject to change without notice.



T 1300 662 787 | F 1300 662 717
 22-24 Somerville Circuit, Emu Plains NSW 2750
 E sales@generalpumps.com.au www.generalpumps.com.au