



Models: **UMDB/400/1**
UADB/400/1
UADB/400/1-FSLC
UADB/400/1-FSV



SPECIFICATIONS

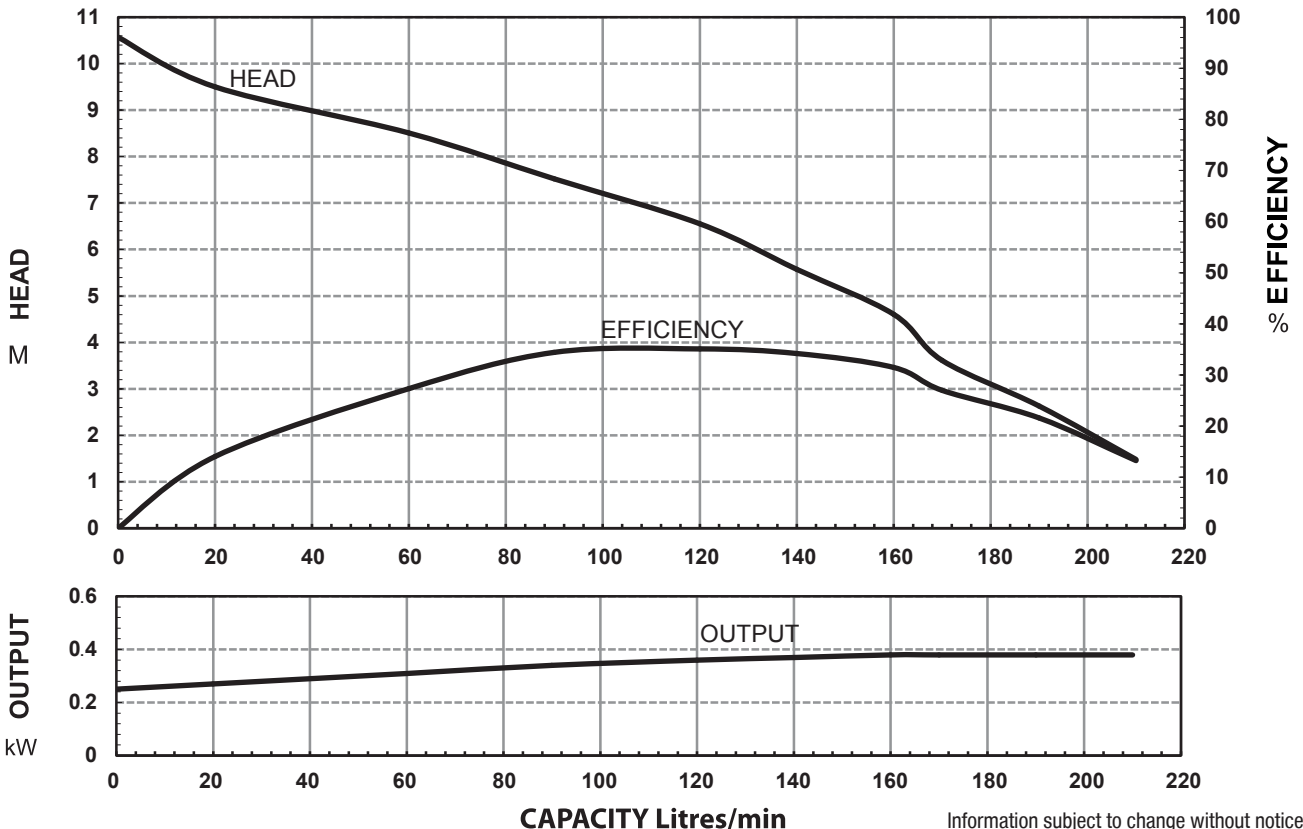
Power	0.4kW / 0.5HP
Frequency	50Hz
Discharge	50mm / 2 inch female BSP
Weight (Excl cable)	13Kg – UMDB400/1 14Kg – Automatic Models
Solid Passage	5 mm
Phase	1ø
Voltage	240
Full Load Amps	2.7
Maximum Liquid Temperature	0-40° C
Maximum Submersion Depth	30m (100 feet)
Motor type	Dry motor
Motor Speed	2 Pole (2800 rpm)
Motor Insulation	Class B
Motor Protection	IP68
Protector	Auto cut
Motor Bearings	Ball Type
Seal Method	Dual Mechanical seal Upper: Carbon/Ceramic Lower; Silicon/Silicon
Impeller Type	Semi-open
Motor Cover Construction	FC-200 Cast Iron
Motor Casing Construction	304 Stainless Steel
Motor Shaft Construction	410 Stainless Steel
Pump Casing Construction	FC-200 Cast Iron
Impeller Construction	FC-200 Cast Iron
Strainer Construction	304 Stainless Steel
Cable Material	H07RN-F

MODEL NUMBER STRUCTURE

U	Ultraflow
M	'M' indicates Manual, without floatswitch 'A' indicates Automatic, with floatswitch
D	'D' indicates 'Drainage' series
B	'B' indicates series
400	Power consumption in 'Watts'
1	'1' indicates 240 volt single phase

'FSLC' and 'FSV' indicates pump is fitted with a fixed arm bracket for floatswitch models which are used in applications to prevent the floatswitch from interfering with the sides of small pump wells

PERFORMANCE CURVES

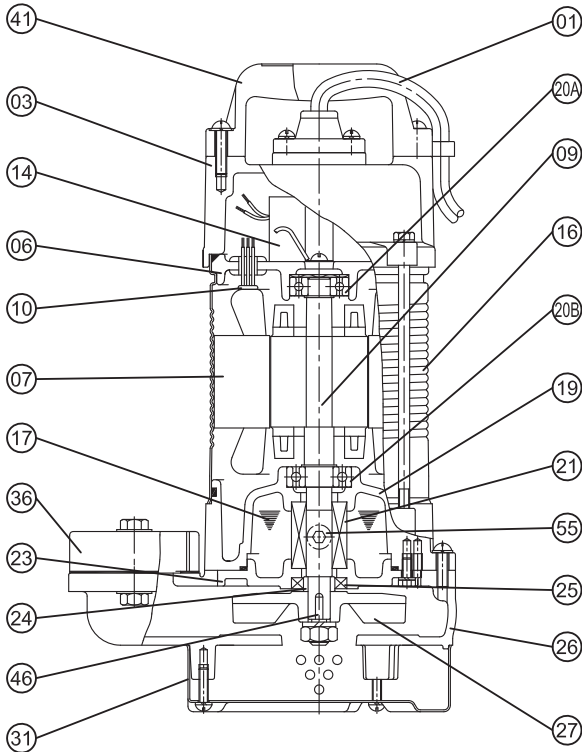


Information subject to change without notice.



T 1300 662 787 | F 1300 662 717
 22-24 Sommerville Circuit, Emu Plains NSW 2750
 E sales@generalpumps.com.au www.generalpumps.com.au

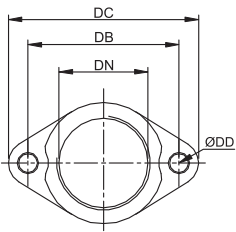
SECTIONAL DRAWING & MATERIALS LIST



PART NUMBER	DESCRIPTION	MATERIAL
01	Cable	H07RN-F
03	Upper Motor Cap	Cast Iron FC-200
06	Upper Bearing Housing	Cast Iron FC-200
07	Motor Stator	
09	Shaft (With Rotor)	(Shaft) Stainless Steel 410
10	Auto Cut Out Overload	
14	Capacitor	
16	Motor Casing	304 Stainless Steel
17	Lubricant	Turbine Oil
19	Lower Bearing Housing	Cast Iron FC-200
20A	Upper Bearing	
20B	Lower Bearing	
21	Mechanical Seal	Upper: Carbon/Ceramic Lower: Silicon/Silicon
23	Mechanical Seal Housing	Cast Iron FC-200
25	Oil Seal	Nitrile
26	Pump Casing	Cast Iron FC-200
27	Impeller	Cast Iron FC-200
31	Strainer	304 Stainless Steel
36	Outlet Flange	Cast Iron FC-200
41	Handle	ABS
46	Impeller Key	304 Stainless Steel
47	O'rings	
55	Oil Plug	304 Stainless Steel
FL	Floatswitch	

When ordering spare parts as above, simply add the pump model number to the part number from the list above. For example, a power lead (part '01'), the complete spare part name would be written as '01-UADB400/1'.

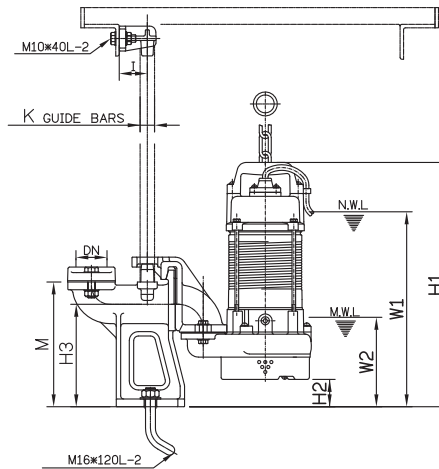
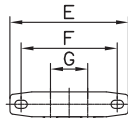
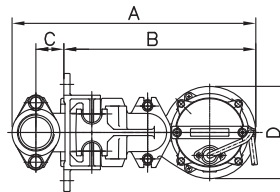
ELBOW (FLANGE) SET



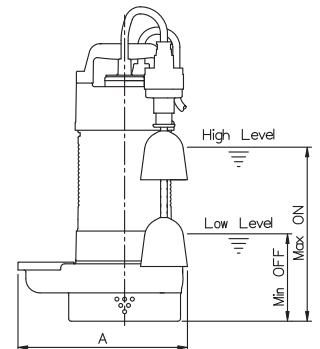
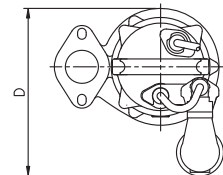
DIMENSIONS - mm

DN	DB	DC	DD
50	84	106	10

GUIDE RAIL SYSTEM DIMENSIONS USING GR50B GUIDE RAIL KIT



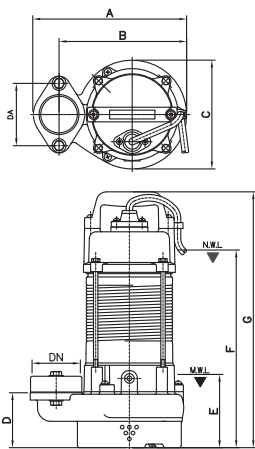
FSV FLOAT SWITCH



DIMENSIONS - mm

A	D	Max ON	Min OFF
215	213	220	110

DIMENSIONAL DRAWING



DIMENSIONS - mm

DN	DA	A	B	C	D	E	F	G
50	84	210	175	149	75	100	270	350

DIMENSIONS - mm

DN	A	B	C	D	E	F	G	I	J	K	M	W1	W2	H1	H2	H3
50	393	309	45	146	190	155	60	50	70	19	201	314	144	393	44	165

Information subject to change without notice.