



Models: **UMDZ1500/50/1**  
**UADZ1500/50/1**  
**UMDZ1500/50/3**  
**UADZ1500/50/3**



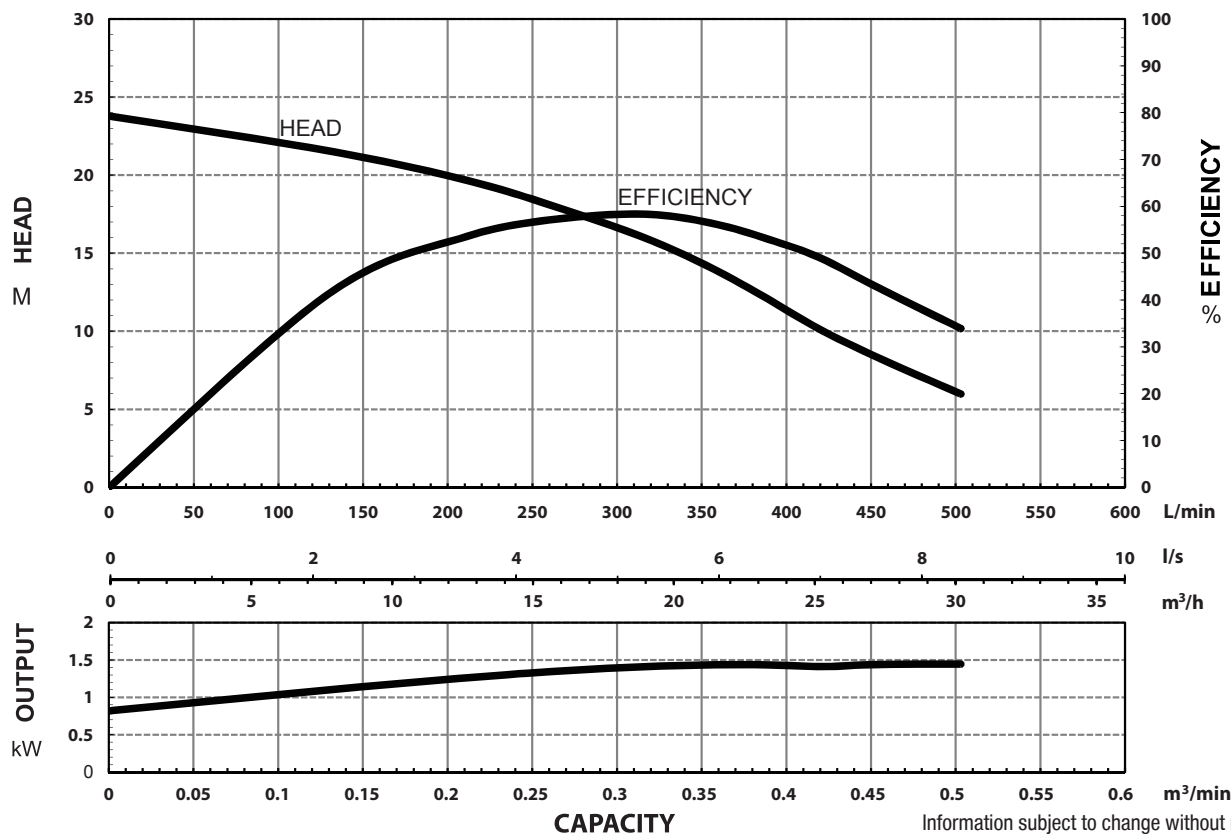
### MODEL NUMBER STRUCTURE

<b>U</b>	Ultraflow
<b>M</b>	'M' indicates Manual, without floatswitch 'A' indicates Automatic, with floatswitch
<b>D</b>	'D' indicates 'Drainage' series
<b>Z</b>	'Z' indicates series
<b>1500</b>	Power consumption in 'Watts'
<b>50</b>	Outlet size
<b>1</b>	'1' indicates 240 volt single phase '3' indicates 415 volt three phase

### SPECIFICATIONS

Power	1.5kW / 2.0HP	
Frequency	50Hz	
Discharge	50mm / 2 inch female BSP	
Weight (Excl cable)	31Kg – Single Phase Models 27Kg – Three Phase Models	
Solid Passage	10.5 mm	
Phase	1 $\phi$	3 $\phi$
Voltage	240	415
Full Load Amps	9.8	3.4
Maximum Liquid Temperature	0-40° C	
Maximum Submersion Depth	30m (100 feet)	
Motor type	Dry motor	
Motor Speed	2 Pole (2800 rpm)	
Motor Insulation	Class B	
Motor Protection	IP68	
Protector	Auto cut	
Motor Bearings	Ball Type	
Seal Method	Dual Mechanical seal	
	Upper; Carbon/Ceramic Lower; Silicon/Silicon	
Impeller Type	Semi-open	
Motor Cover Construction	FC-200 Cast Iron	
Motor Casing Construction	304 Stainless Steel	
Motor Shaft Construction	403 Stainless Steel	
Pump Casing Construction	FC-200 Cast Iron	
Impeller Construction	FC-200 Cast Iron	
Strainer Construction	304 Stainless Steel	
Cable Material	H07RN-F	

### PERFORMANCE CURVES

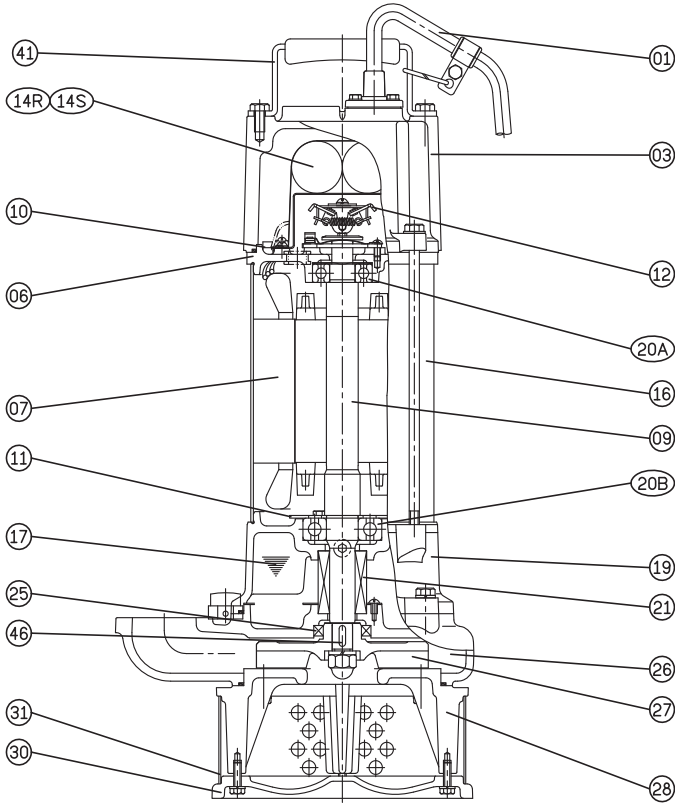


Information subject to change without notice.

Models: **UMDZ1500/50/1**  
**UADZ1500/50/1**  
**UMDZ1500/50/3**  
**UADZ1500/50/3**



**SECTIONAL DRAWING & MATERIALS LIST**



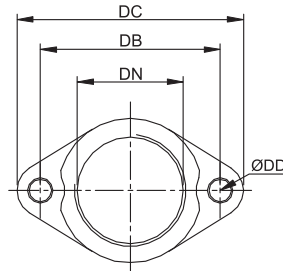
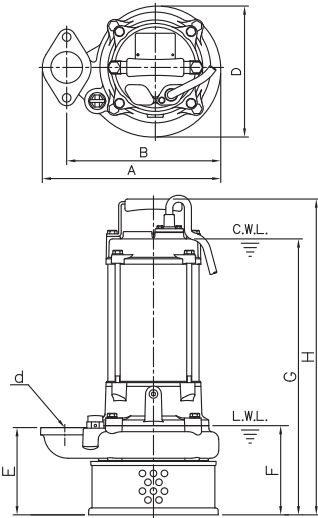
PART NUMBER	DESCRIPTION	MATERIAL
01	Cable	H07RN-F
03	Upper Motor Cap	Cast Iron FC-200
06	Upper Bearing Housing	Cast Iron FC-200
07	Motor Stator	
09	Shaft (With Rotor)	(Shaft) Stainless Steel 403
10	Auto Cut Out Overload	
11	Bearing Fixing Plate	
12	Centrifugal Switch	
14R & 14S	Capacitors (for 240 volt models, transformer relay for UADZ1500/50/3)	
16	Motor Casing	304 Stainless Steel
17	Lubricant	Turbine Oil
19	Lower Bearing Housing	Cast Iron FC-200
20A	Upper Bearing	
20B	Lower Bearing	
21	Mechanical Seal	Upper: Carbon/Ceramic Lower: Silicon/Silicon
25	Oil Seal	Nitrile
26	Pump Casing	Cast Iron FC-200
27	Impeller	Cast Iron FC-200
28	Suction Cover Stand	304 Stainless Steel
30	Pump Base Plate	Cast Iron FC-200
31	Strainer	Cast Iron FC-200
41	Handle	304 Stainless Steel
46	Impeller Key	304 Stainless Steel
47	O'rings	
55	Oil Plug	304 Stainless Steel
FL	Floatswitch	

When ordering spare parts as above, simply add the pump model number to the part number from the list above. For example, a power lead (part '01'), the complete spare part name would be written as '01-UADZ1500/50/1'.

**DIMENSIONAL DRAWING**

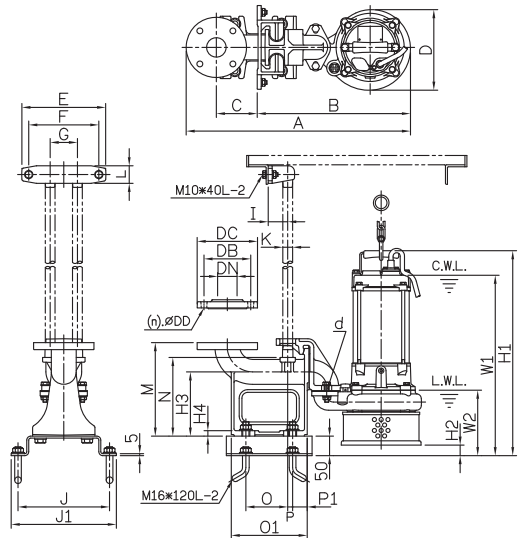
**ELBOW (FLANGE) SET**

**GUIDE RAIL SYSTEM DIMENSIONS USING GR50PB GUIDE RAIL KIT**



**DIMENSIONS - mm**

DN	DB	DC	DD
50	96	121	12



**DIMENSIONS - UMDZ1500/50/1, UADZ1500/50/1, UADZ1500/50/3**

d	A	B	D	E	F	G	H
50	282	244	207	138	141	517	580

**DIMENSIONS - UMDZ1500/50/3**

d	A	B	D	E	F	G	H
50	282	244	207	138	141	436	499

**DIMENSIONS - UMDZ1500/50/1, UADZ1500/50/1, UADZ1500/50/3**

d	A	B	C	D	E	F	G	I	J	J1	K	L	M	N	O	O1	P	P1	W1	W2	H1	H2	H3	H4
50	557	394	105	207	215	180	70	50	235	270	25	45	240	202	108	195	13	38	544	168	607	27	165	14

**DIMENSIONS - UMDZ1500/50/3**

d	A	B	C	D	E	F	G	I	J	J1	K	L	M	N	O	O1	P	P1	W1	W2	H1	H2	H3	H4
50	557	394	105	207	215	180	70	50	235	270	25	45	240	202	108	195	13	38	463	168	526	27	165	14

Information subject to change without notice.



**T 1300 662 787 | F 1300 662 717**  
 22-24 Somerville Circuit, Emu Plains NSW 2750  
 E sales@generalpumps.com.au www.generalpumps.com.au