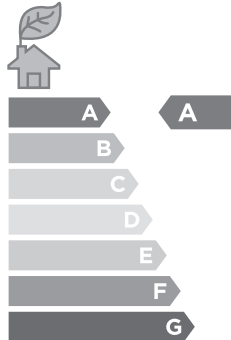




UCV20-80B-150

**ENERGY RATING GUIDE**



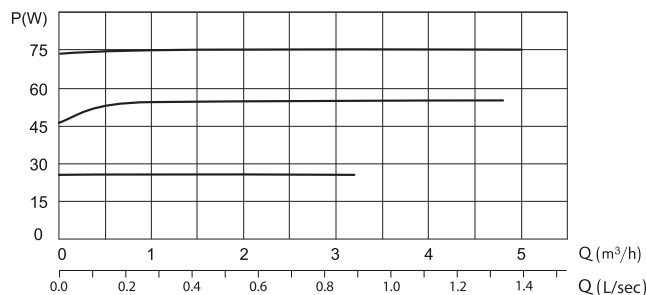
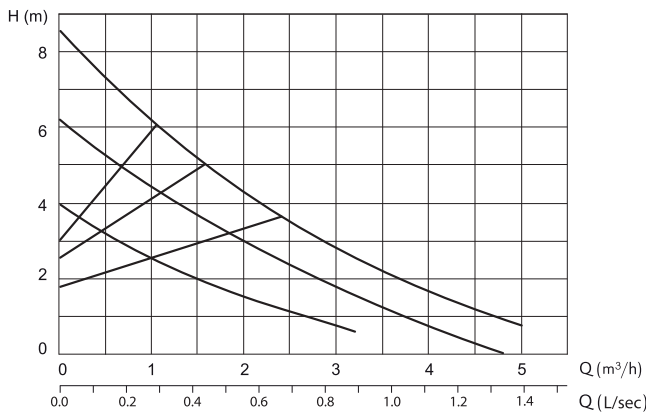
**SPECIFICATIONS**

Power (Watts) Variable Speed Mode	7-75 W
Power (Watts) Speed 1	25 W
Power (Watts) Speed 2	50 W
Power (Watts) Speed 3	75 W
Frequency	50Hz
Union Connection Size	20mm / ¾ inch female BSP
Pump Outlet Flange Thread	32mm / 1¼ inch male BSP
Weight	2.3Kg
Phase	1Ø
Voltage	240
Full Load Ampere – Variable Speed	0.05 – 0.6
Full Load Ampere – Speed 1	0.24
Full Load Ampere – Speed 2	0.45
Full Load Ampere – Speed 3	0.60
Liquid Temperature Range	-10°C - 110°C**
Max Operating Pressure	10 Bar
Motor Insulation	Class F
Motor Protection	IP44
Impeller Construction	Noryl GFN 1630V
Pump Casing Construction	Bronze
Temp of media in system °C	110    100    90    80
Max Temp surrounding pump °C	35    50    50    70

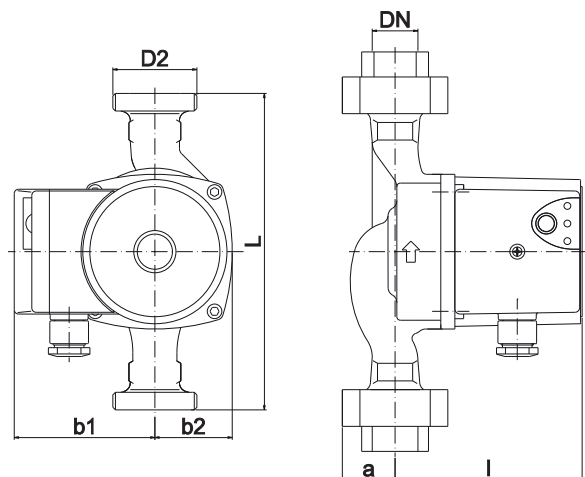
**MODEL NUMBER STRUCTURE**

<b>U</b>	Ultraflow
<b>C</b>	Circulation pump
<b>V</b>	'V' indicates high efficiency variable speed motor
<b>20</b>	Indicates nominal outlet size
<b>80</b>	Indicates max pressure in kpa
<b>B</b>	'B' indicates bronze pump casing
<b>150</b>	Port to port length in mm

**PERFORMANCE CURVES**



**DIMENSIONS**



UCV20-80B-150 - DIMENSIONS - mm						
D2	L	b1	b2	DN	a	l
				(Connection Size)		
32	150	80	48	20	28	108

\*\*It is suggested to keep the operating temperature as low as possible (e.g. 65°C) to avoid lime precipitation (calcium build-up).

Information subject to change without notice.