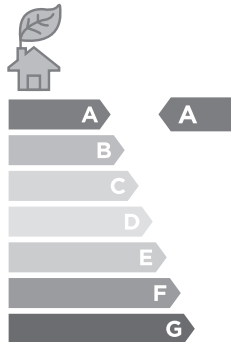




UCV20-60B-150

**ENERGY RATING GUIDE**



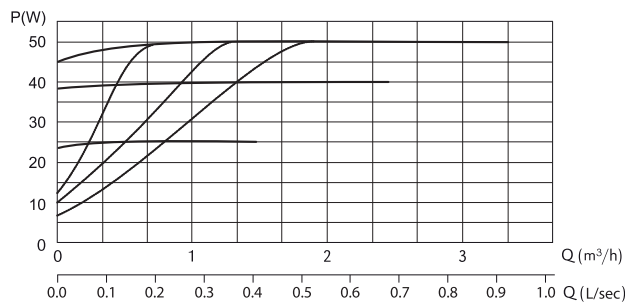
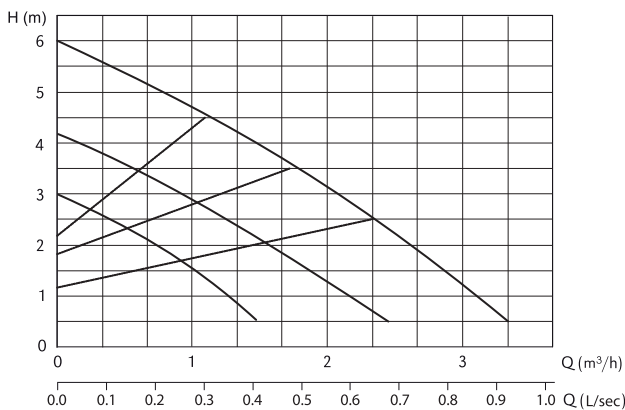
**SPECIFICATIONS**

Power (Watts) Speed 1	7-50 W			
Power (Watts) Speed 2	16 W			
Power (Watts) Speed 3	34 W			
Frequency	50Hz			
Union Connection Size	20mm / ¾ inch female BSP			
Pump Outlet Flange Thread	32mm / 1¼ inch male BSP			
Weight	2.3Kg			
Phase	1Ø			
Voltage	240			
Full Load Ampere – Variable Speed	0.05 – 0.4			
Full Load Ampere – Speed 1	0.16			
Full Load Ampere – Speed 2	0.3			
Full Load Ampere – Speed 3	0.4			
Liquid Temperature Range	-10°C - 110°C**			
Max Operating Pressure	10 Bar			
Motor Insulation	Class F			
Motor Protection	IP44			
Impeller Construction	Noryl GFN 1630V			
Pump Casing Construction	Bronze			
Temp of media in system °C	110	100	90	80
Max Temp surrounding pump °C	35	50	50	70

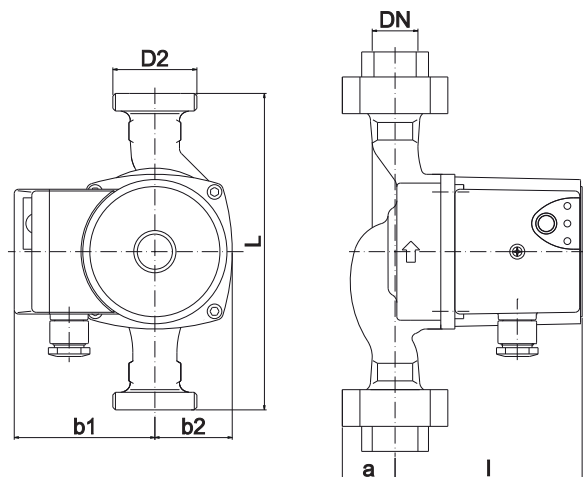
**MODEL NUMBER STRUCTURE**

<b>U</b>	Ultraflow
<b>C</b>	Circulation pump
<b>V</b>	'V' indicates high efficiency variable speed motor
<b>20</b>	Indicates nominal outlet size
<b>60</b>	Indicates max pressure in kpa
<b>B</b>	'B' indicates bronze pump casing
<b>150</b>	Port to port length in mm

**PERFORMANCE CURVES**



**DIMENSIONS**



**UCV20-60B-150 - DIMENSIONS - mm**

D2	L	b1	b2	DN	a	l
				(Connection Size)		
32	150	80	44	20	28	108

\*\*It is suggested to keep the operating temperature as low as possible (e.g. 65°C) to avoid lime precipitation (calcium build-up).

Information subject to change without notice.