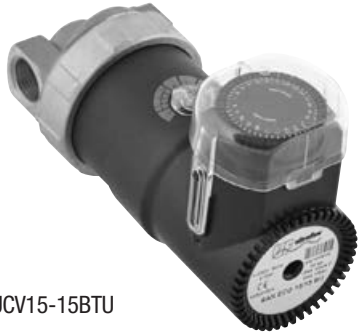


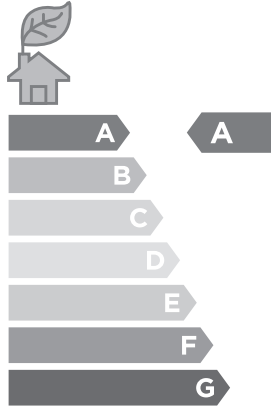


UCV15-15B



UCV15-15BTU

ENERGY RATING GUIDE



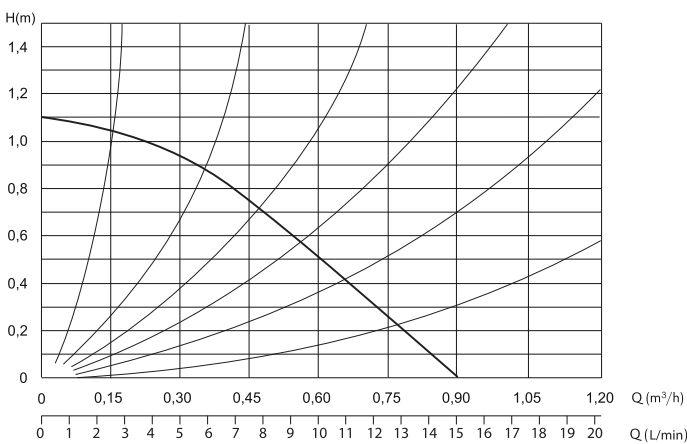
SPECIFICATIONS

Power (Watts)	2 - 8 W
Frequency	50Hz
Connection Size	15mm / ½ inch female BSP
Weight	0.9Kg – UCV15-15B 1Kg – UCV15-15BTU
Phase	1ø
Voltage	240
Full Load Ampere	0.10
Liquid Temperature Range	-5°C - 70°C**
Max Operating Pressure	10 Bar
Motor Insulation	Class F
Motor Protection	IP44
Impeller Construction	Noryl GFN 1630V
Pump Casing Construction	Bronze
Timer Increments (BTU Model)	30 minutes
Thermostat Range (BTU Model)	20°C - 70°C

MODEL NUMBER STRUCTURE

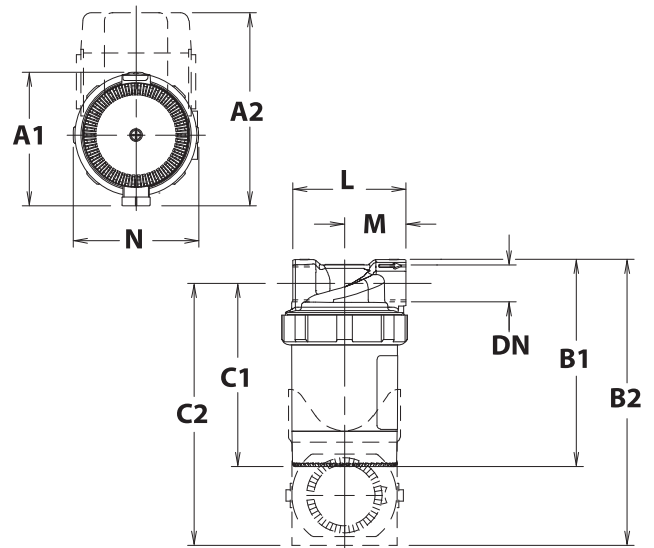
U	Ultraflow
C	Circulation pump
V	'V' indicates variable speed high efficiency motor
15	Indicates nominal outlet size
15	Indicates max pressure in kpa
B	'B' indicates bronze pump casing
T	'T' indicates 24 hour timer controllible
U	'U' indicates thermostatically controllible (20°C - 70°C)

PERFORMANCE CURVES



**It is suggested to keep the operating temperature as low as possible (e.g. 65°C) to avoid lime precipitation (calcium build-up).

DIMENSIONS



UCV15-15B - DIMENSIONS - mm						
A1	B1	C1	DN	L	M	N
			(Connection Size)			
76	118	105	15	*65	35	72
UCV15-15BTU - DIMENSIONS - mm						
A2	B2	C2	DN	L	M	N
			(Connection Size)			
110	163	150	15	*65	35	72

Information subject to change without notice.