

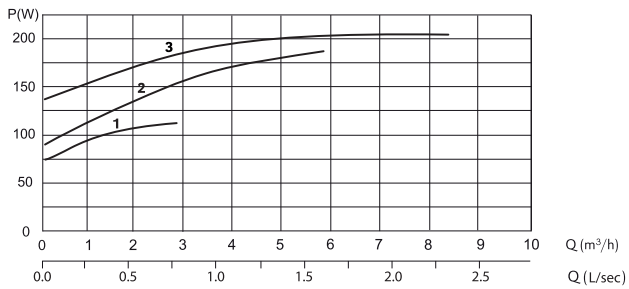
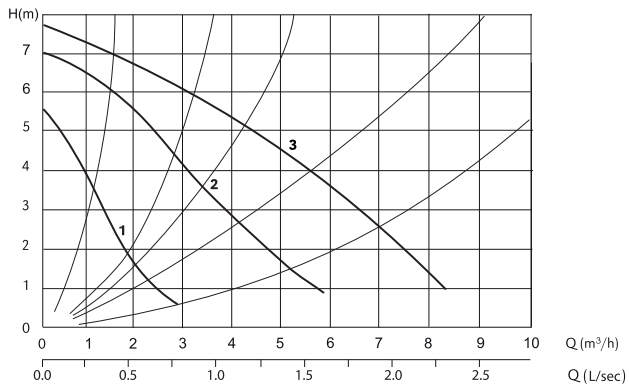


UCF32-80B-180

MODEL NUMBER STRUCTURE

U	Ultraflow
C	Circulation pump
F	'F' indicates standard motor
32	Indicates nominal outlet size
80	Indicates max pressure in kpa
B	'B' indicates bronze pump casing
180	Port to port length in mm

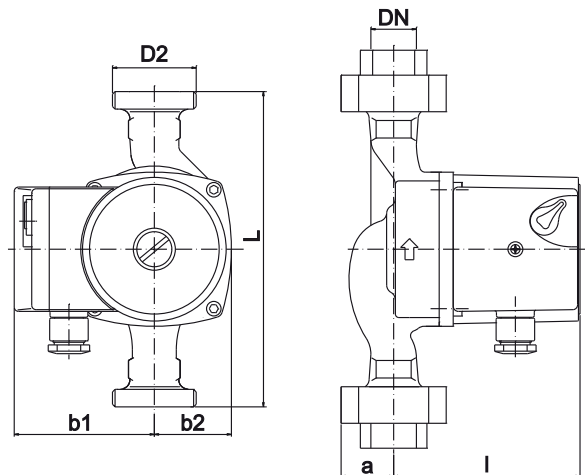
PERFORMANCE CURVES



SPECIFICATIONS

Power (Watts) Speed 1	107 W
Power (Watts) Speed 2	176 W
Power (Watts) Speed 3	210 W
Frequency	50Hz
Union Connection Size	32mm / 1¼ inch female BSP
Pump Outlet Flange Thread	50mm / 2 inch female BSP
Weight	5.2Kg
Phase	1Ø
Voltage	240
Full Load Ampere – Speed 1	0.49
Full Load Ampere – Speed 2	0.80
Full Load Ampere – Speed 3	0.95
Liquid Temperature Range	-10°C - 110°C**
Max Operating Pressure	10 Bar
Motor Insulation	Class H
Motor Protection	IP44
Impeller Construction	Noryl GFN 1630V
Pump Casing Construction	Bronze
Temp of media in system °C	110 100 90 80
Max Temp surrounding pump °C	35 50 50 70

DIMENSIONS



UCF32-80B-180 - DIMENSIONS - mm

D2	L	b1	b2	DN	a	l
				(Connection Size)		
50	180	80	57	32	39	150

**It is suggested to keep the operating temperature as low as possible (e.g. 65°C) to avoid lime precipitation (calcium build-up).

Information subject to change without notice.