

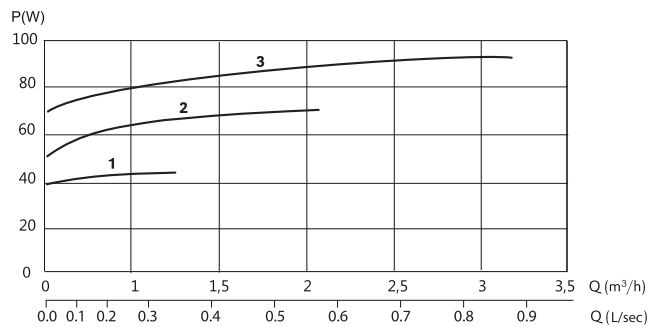
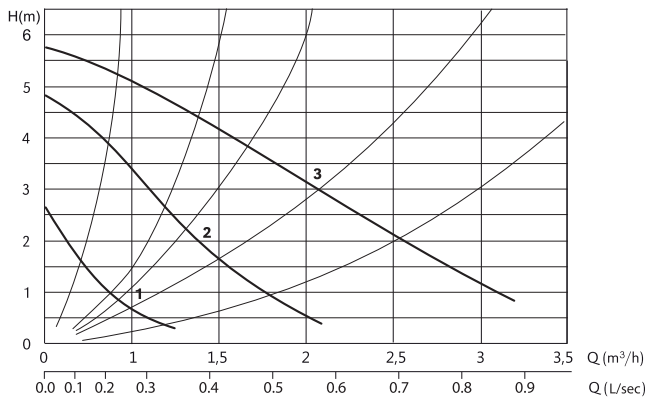


UCF25-60CI-130

MODEL NUMBER STRUCTURE

U	Ultraflow
C	Circulation pump
F	'F' indicates standard motor
25	Indicates nominal outlet size
60	Indicates max pressure in kpa
CI	'CI' indicates cast iron pump casing
130	Port to port length in mm

PERFORMANCE CURVES

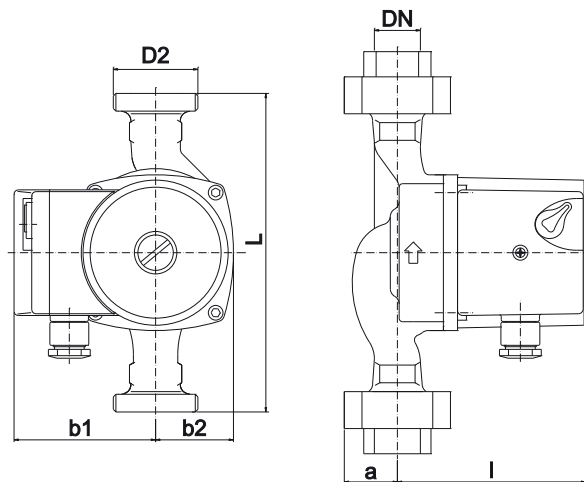


**It is suggested to keep the operating temperature as low as possible (e.g. 65°C) to avoid lime precipitation (calcium build-up).

SPECIFICATIONS

Power (Watts) Speed 1	40 W
Power (Watts) Speed 2	67 W
Power (Watts) Speed 3	90 W
Frequency	50Hz
Union Connection Size	25mm / 1 inch female BSP
Pump Outlet Flange Thread	38mm / 1½ inch female BSP
Weight	2.8Kg
Phase	1Ø
Voltage	240
Full Load Ampere – Speed 1	0.17
Full Load Ampere – Speed 2	0.29
Full Load Ampere – Speed 3	0.39
Liquid Temperature Range	-10°C - 110°C**
Max Operating Pressure	10 Bar
Motor Insulation	Class H
Motor Protection	IP44
Impeller Construction	Noryl GFN 1630V
Pump Casing Construction	Cast Iron
Temp of media in system °C	110 100 90 80
Max Temp surrounding pump °C	35 50 50 70

DIMENSIONS



UCF25-60CI-130 - DIMENSIONS - mm

D2	L	b1	b2	DN	a	l
				(Connection Size)		
38	130	80	44	25	32	108

Information subject to change without notice.