

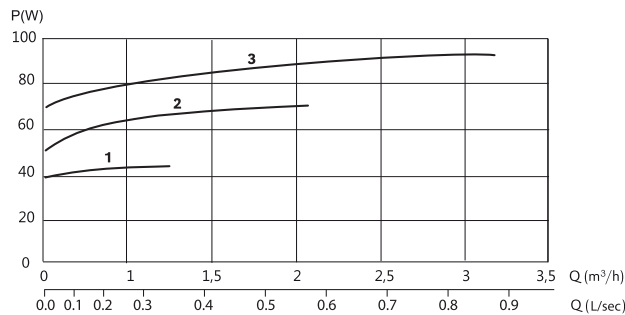
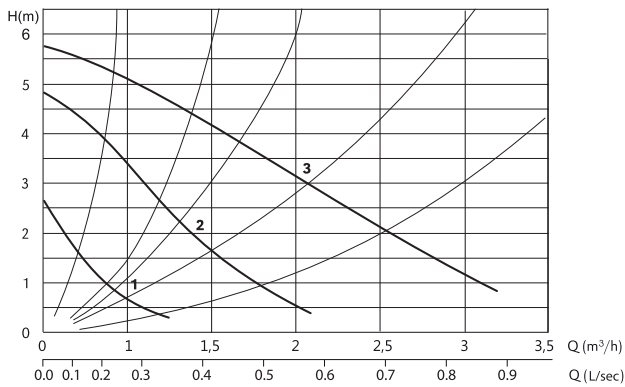


UCF25-60B-180

**MODEL NUMBER STRUCTURE**

<b>U</b>	Ultraflow
<b>C</b>	Circulation pump
<b>F</b>	'F' indicates standard motor
<b>25</b>	Indicates nominal outlet size
<b>60</b>	Indicates max pressure in kpa
<b>B</b>	'B' indicates bronze pump casing
<b>180</b>	Port to port length in mm

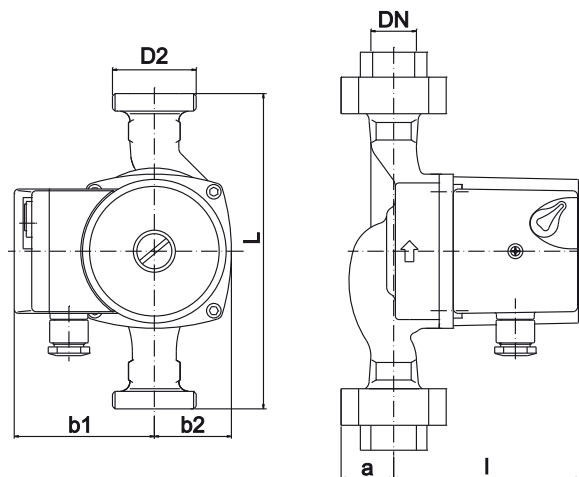
**PERFORMANCE CURVES**



**SPECIFICATIONS**

Power (Watts) Speed 1	40 W
Power (Watts) Speed 2	67 W
Power (Watts) Speed 3	90 W
Energy Label	B
Frequency	50Hz
Union Connection Size	25mm / 1 inch female BSP
Pump Outlet Flange Thread	38mm / 1½ inch female BSP
Weight	2.8Kg
Phase	1Ø
Voltage	240
Full Load Ampere – Speed 1	0.17
Full Load Ampere – Speed 2	0.29
Full Load Ampere – Speed 3	0.39
Liquid Temperature Range	-10°C - 110°C**
Max Operating Pressure	10 Bar
Motor Insulation	Class H
Motor Protection	IP44
Impeller Construction	Noryl GFN 1630V
Pump Casing Construction	Bronze
Temp of media in system °C	110    100    90    80
Max Temp surrounding pump °C	35    50    50    70

**DIMENSIONS**



**UCF25-60B-180 - DIMENSIONS - mm**

D2	L	b1	b2	DN (Connection Size)	a	l
30	180	80	44	25	32	108

\*\*It is suggested to keep the operating temperature as low as possible (e.g. 65°C) to avoid lime precipitation (calcium build-up).

Information subject to change without notice.