

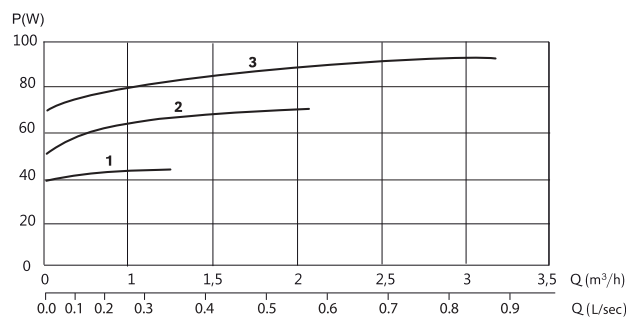
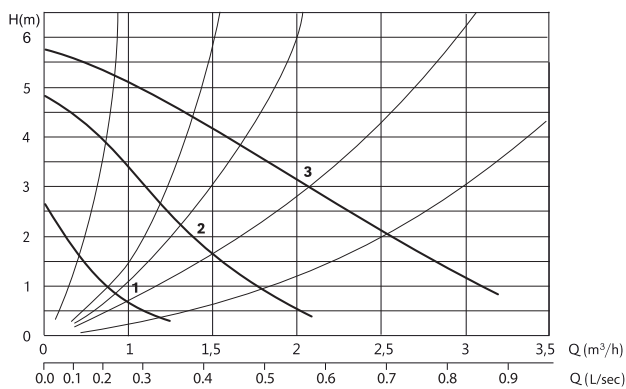


UCF20-60B-150

MODEL NUMBER STRUCTURE

| | |
|------------|----------------------------------|
| U | Ultraflow |
| C | Circulation pump |
| F | 'F' indicates standard motor |
| 20 | Indicates nominal outlet size |
| 60 | Indicates max pressure in kpa |
| B | 'B' indicates bronze pump casing |
| 150 | Port to port length in mm |

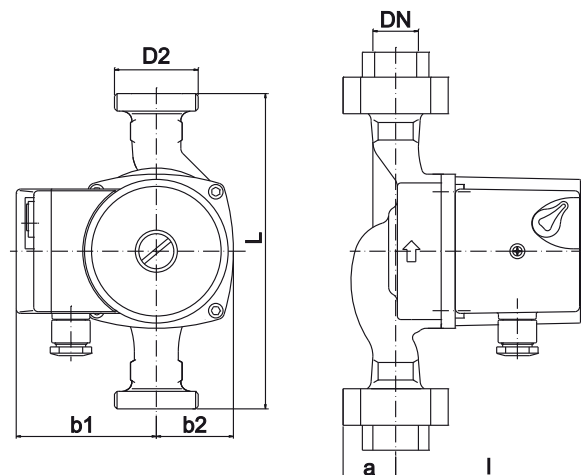
PERFORMANCE CURVES



SPECIFICATIONS

| | |
|------------------------------|---------------------------|
| Power (Watts) Speed 1 | 40 W |
| Power (Watts) Speed 2 | 67 W |
| Power (Watts) Speed 3 | 90 W |
| Frequency | 50Hz |
| Union Connection Size | 20mm / ¾ inch female BSP |
| Pump Outlet Flange Thread | 32mm / 1¼ inch female BSP |
| Weight | 2.3Kg |
| Phase | 1Ø |
| Voltage | 240 |
| Full Load Ampere – Speed 1 | 0.17 |
| Full Load Ampere – Speed 2 | 0.29 |
| Full Load Ampere – Speed 3 | 0.39 |
| Liquid Temperature Range | -10°C - 110°C** |
| Max Operating Pressure | 10 Bar |
| Motor Insulation | Class H |
| Motor Protection | IP44 |
| Impeller Construction | Noryl GFN 1630V |
| Pump Casing Construction | Bronze |
| Temp of media in system °C | 110 100 90 80 |
| Max Temp surrounding pump °C | 35 50 50 70 |

DIMENSIONS



UCF20-60B-150 - DIMENSIONS - mm

| D2 | L | b1 | b2 | DN | a | l |
|----|-----|----|----|-------------------|----|-----|
| | | | | (Connection Size) | | |
| 32 | 150 | 80 | 44 | 20 | 28 | 108 |

**It is suggested to keep the operating temperature as low as possible (e.g. 65°C) to avoid lime precipitation (calcium build-up).

Information subject to change without notice.