

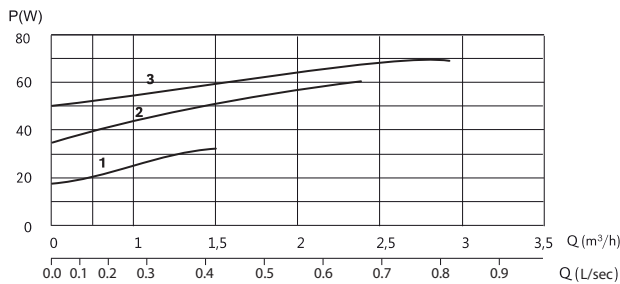
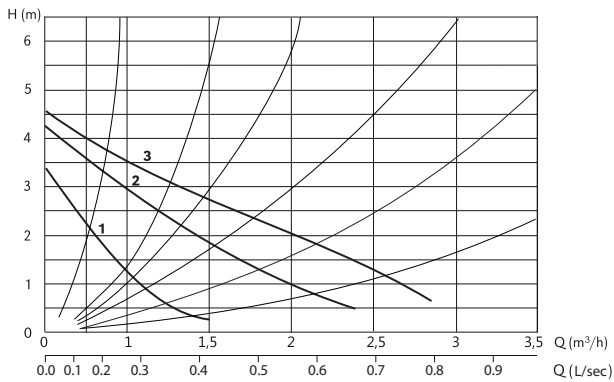


UCF15-40B-130

**MODEL NUMBER STRUCTURE**

<b>U</b>	Ultraflow
<b>C</b>	Circulation pump
<b>F</b>	'F' indicates standard motor
<b>15</b>	Indicates nominal outlet size
<b>40</b>	Indicates max pressure in kpa
<b>B</b>	'B' indicates bronze pump casing
<b>130</b>	Port to port length in mm

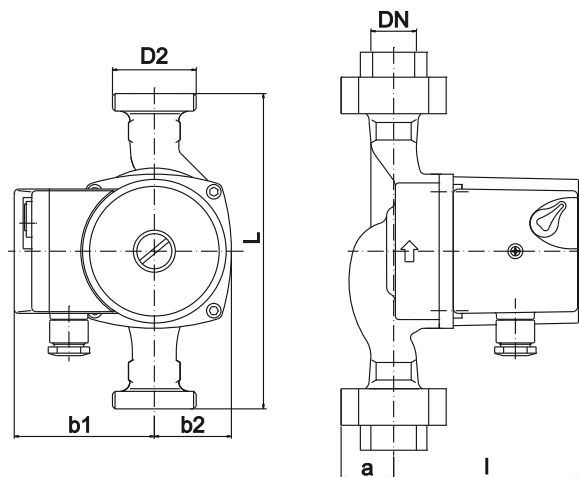
**PERFORMANCE CURVES**



**SPECIFICATIONS**

Power (Watts) Speed 1	40 W
Power (Watts) Speed 2	58 W
Power (Watts) Speed 3	75 W
Frequency	50Hz
Union Connection Size	15mm / ½ inch female BSP
Pump Outlet Flange Thread	25mm / 1 inch male BSP
Weight	2.3Kg
Phase	1Ø
Voltage	240
Full Load Ampere – Speed 1	0.17
Full Load Ampere – Speed 2	0.25
Full Load Ampere – Speed 3	0.33
Liquid Temperature Range	-10°C - 110°C**
Max Operating Pressure	10 Bar
Motor Insulation	Class H
Motor Protection	IP44
Impeller Construction	Noryl GFN 1630V
Pump Casing Construction	Bronze
Temp of media in system °C	110    100    90    80
Max Temp surrounding pump °C	35    50    50    70

**DIMENSIONS**



**UCF15-40B-130 - DIMENSIONS - mm**

D2	L	b1	b2	DN (Connection Size)	a	l
25	130	80	44	15	28	108

\*\*It is suggested to keep the operating temperature as low as possible (e.g. 65°C) to avoid lime precipitation (calcium build-up).

Information subject to change without notice.