

### DUAL CIRCULATOR SYSTEM



UFS-2F256B  
UFS-2V256B

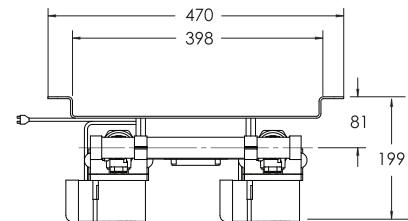
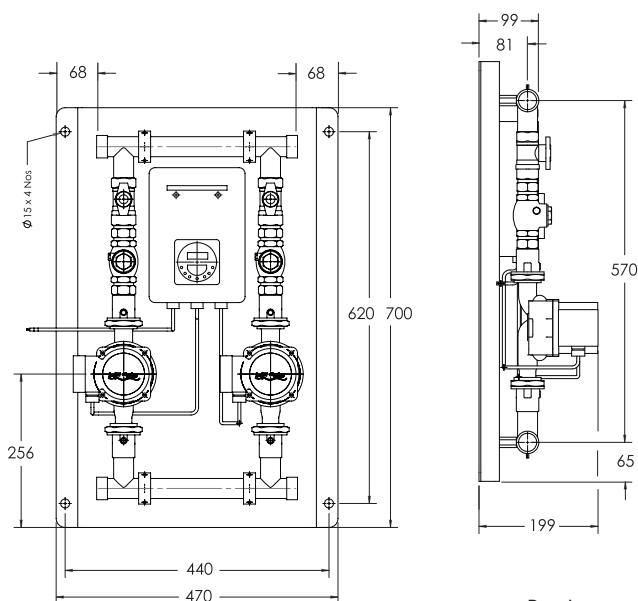
### DUAL PUMP SYSTEM SPECIFICATIONS

Discharge Connections	25mm BSP female
Suction Connections	25mm BSP female
No. of Discharge Connections	2 (connect to left or right)
No. of Suction Connections	2 (connect to left or right)
No. of Circulation Pumps	2
No. of Discharge Isolation Valves	2 (ball type)
No. of Suction Isolation Valves	2 (ball valve union type)
No. of Non-return Valves	2 (swing type)
Pipework Mountings	Anti vibration standoff clamps
Ball valve material	Brass
Non-return Valve Material	Brass
Union Material	Brass
Suction/Discharge manifolds	304 stainless steel
Base Plate Material	Galvanised steel
Approximate Weight	21Kg 67Kg (enclosure mounted units)

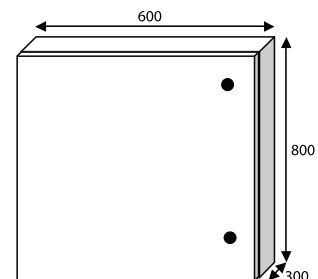
Controller & time clock function:

- Polypropylene enclosure
- 24 hour/7 day programmable timer, 12 hour alternation default
- 100 hour battery back up
- Manual override
- Indication lights for each pump run
- Alternating duty pump via timeclock

### DIMENSIONS



Enclosure mounted systems



Drawings are not to scale and measurements are approximate. Information subject to change without notice.