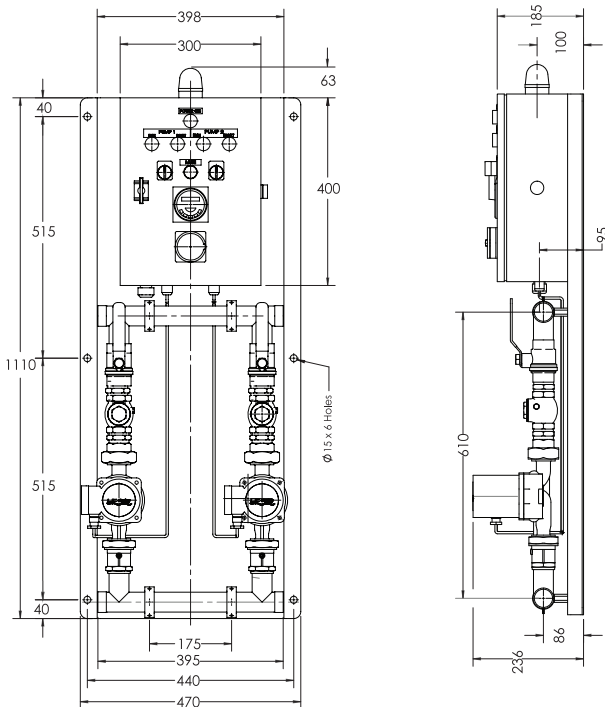


DUAL CIRCULATOR SYSTEM



UFP-2F328B

DIMENSIONS



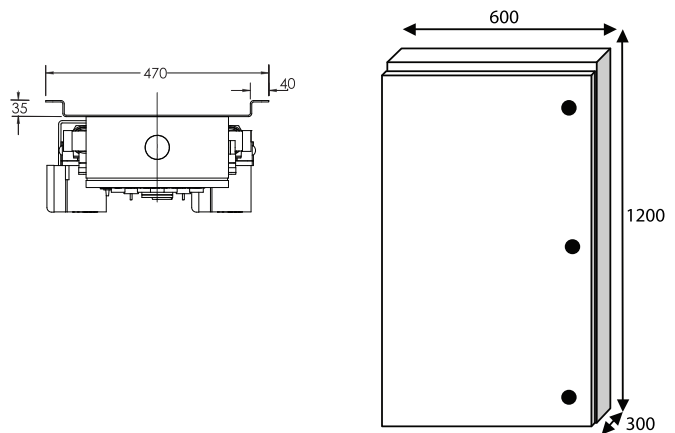
DUAL PUMP SYSTEM SPECIFICATIONS

Discharge Connections	32mm BSP female
Suction Connections	32mm BSP female
No. of Discharge Connections	2 (connect to left or right)
No. of Suction Connections	2 (connect to left or right)
No. of Circulation Pumps	2
No. of Discharge Isolation Valves	2 (ball type)
No. of Suction Isolation Valves	2 (ball valve union type)
No. of Non-return Valves	2 (swing type)
Pipework Mountings	Anti vibration standoff clamps
Ball valve material	Brass
Non-return Valve Material	Brass
Union Material	Brass
Suction/Discharge manifolds	304 stainless steel
Base Plate Material	Galvanised steel
Approximate Weight	41Kg 84Kg (enclosure mounted units)

Controller & time clock function:

- Powder coated steel enclosure
- 24 hour/7 day programmable timer, 12 hour alternation default
- 100 hour battery back up
- Manual/Off/Auto switches for each pump
- Indication lights for 'Power On' and each pump 'Run' & 'Fault'
- Main isolator
- Thermal overload protection
- Alarm light and buzzer with mute
- Provision for thermostat operation - optional
- Alternating duty pump via timeclock
- Auto changeover from duty pump to standby pump on duty pump failure

Enclosure mounted systems



Drawings are not to scale and measurements are approximate. Information subject to change without notice.