

**MODELS:** UMHDDN2200/80/3  
UAHDDN2200/80/3



SPECIFICATIONS	
Power	2.2kW / 3.0HP
Frequency	50Hz
Discharge	80mm / 3 inch female BSP
Weight (Excl cable)	53Kg - UAHDDN1500/80/3 47Kg - UMHDDN1500/80/3
Solid Passage	10 mm
Phase	3ø
Voltage	415
Full Load Ampere	4.8
Maximum Liquid Temperature	0-40° C
Maximum Submersion Depth	30m (100 feet)
Motor type	Dry motor
Motor Speed	2 Pole (2800 rpm)
Motor Insulation	Class B
Motor Protection	IP68
Protector	Auto cut
Motor Bearings	Ball Type
Seal Method	Dual Mechanical seal Upper: Carbon/Ceramic Lower: Silicon/Silicon
Impeller Type	Enclosed Channel
Motor Cover Construction	FC-200 Cast Iron
Motor Casing Construction	304 Stainless Steel
Motor Shaft Construction	403 Stainless Steel
Pump Casing Construction	FC-200 Cast Iron
Outer Pump Jacket Construction	304 Stainless Steel
Impeller Construction	Hi-Chromium
Wear Ring	Hi-Chromium
Strainer Construction	304 Stainless Steel
Cable Material	H07RN-F

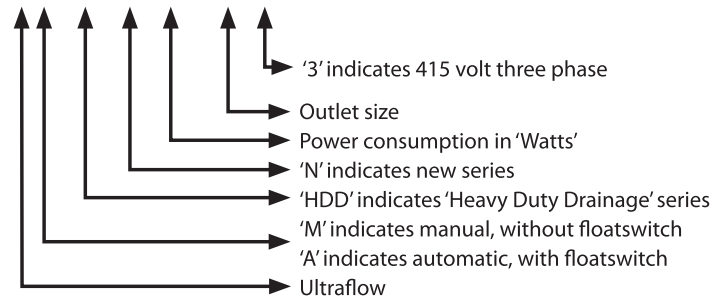


MANUAL

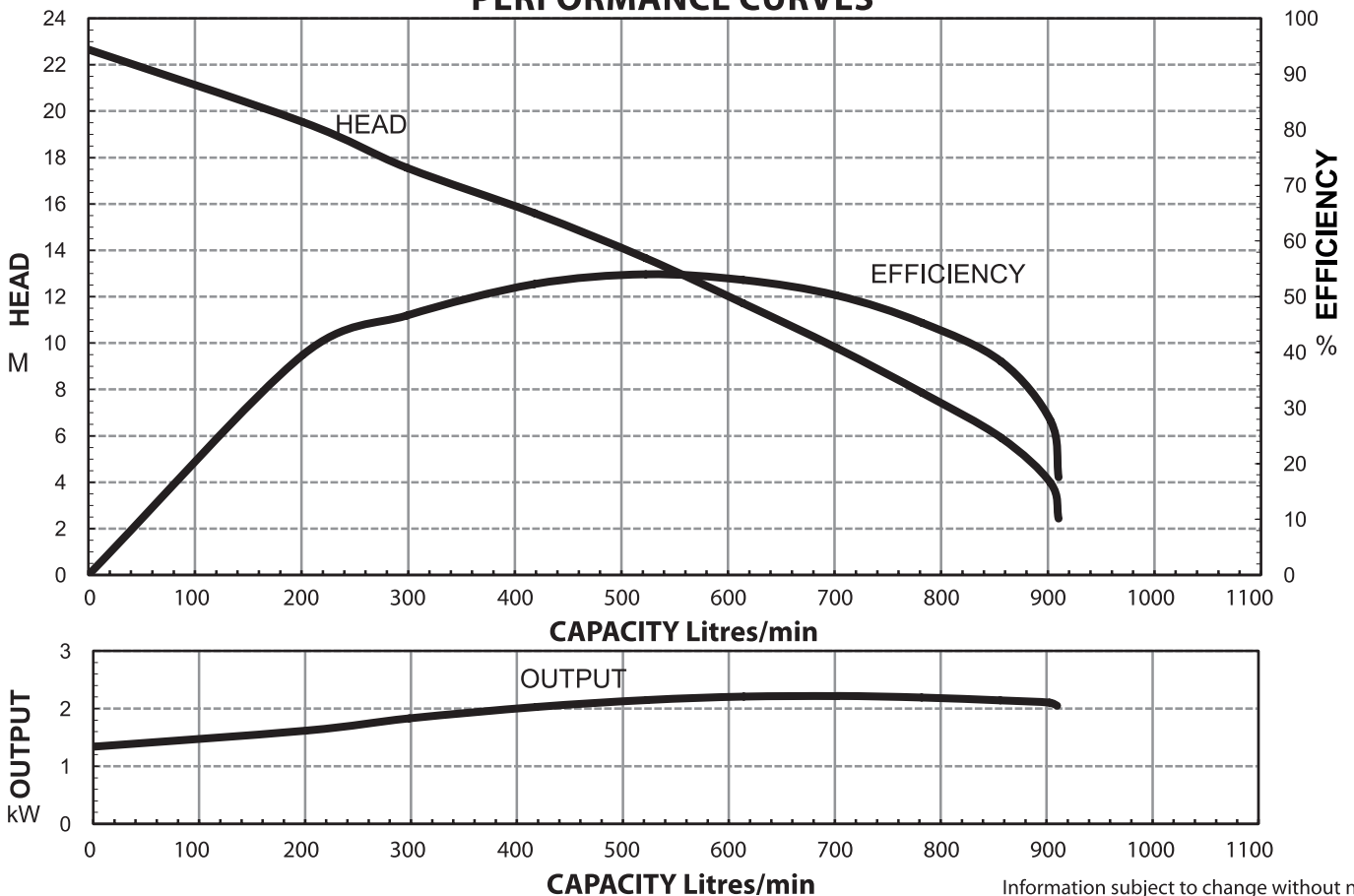
AUTOMATIC

### MODEL NUMBER STRUCTURE

UMHDDN2200/80/3



### PERFORMANCE CURVES



Information subject to change without notice.

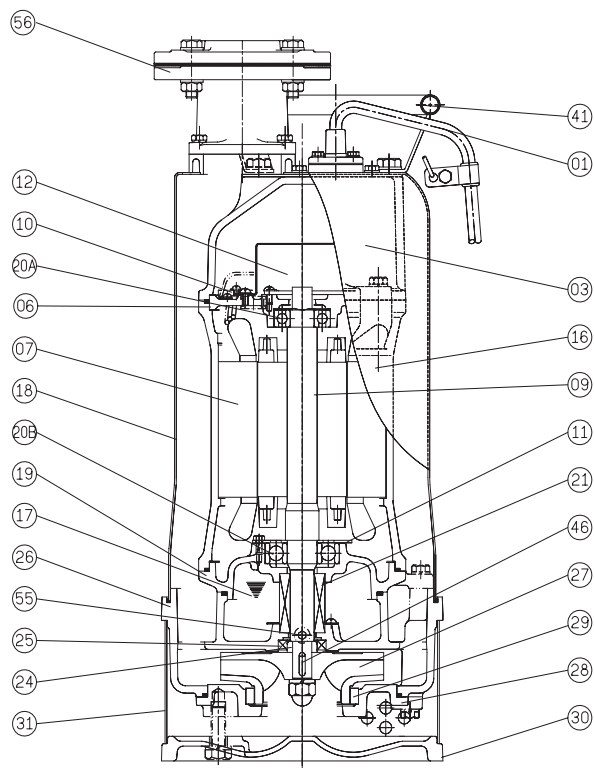


97 Gascoigne Street, Kingswood 2747 New South Wales, Australia  
 Phone: 02 4731 3940 Fax: 02 4731 3366  
 Email: sales@ultraflowaustralia.com.au Web: www.ultraflowaustralia.com.au

**MODELS:** UMHDDN2200/80/3  
UAHDDN2200/80/3



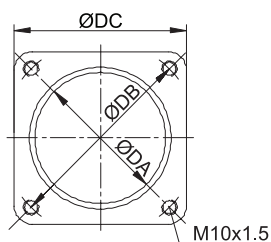
## SECTIONAL DRAWING & MATERIALS LIST



Part Number	Description	Material	Notes
01	Cable	HO7RN-F	
03	Upper Motor Cap	Cast Iron FC-200	Motor cap and bearing housing are one part on UMHDDN2200/80/3
06	Upper Bearing Housing	Cast Iron FC-200	
07	Motor Stator		
09	Shaft With (With Rotor)	(Shaft) Stainless Steel 403	
10	Auto Cut Out Overload		
11	Bearing Fixer		
12	Transformer relay		UAHDDN2200/80/3 only
16	Motor Casing	304 Stainless Steel	
17	Lubricant	Turbine Oil	
18	Outer Cover	304 Stainless Steel	
19	Lower Bearing Housing	Cast Iron FC-200	
20A	Upper Bearing		
20B	Lower Bearing		
19	Lower Bearing Housing	Cast Iron FC-200	
20A	Upper Bearing		
20B	Lower Bearing		
21	Mechanical Seal	Upper: Carbon/Ceramic Lower: Silicon/Silicon	
24	Oil Seal Bush	403 Stainless Steel	
25	Oil Seal	Nitrile	
26	Pump Casing	Cast Iron FC-200	
27	Impeller	High Chromium HiCr	
28	Casing Cover	Cast Iron FC-200	
29	Wear Ring	High Chromium HiCr	
30	Pump Base	Cast Iron FC-200	
31	Strainer	304 Stainless Steel	
41	Handle	304 Stainless Steel	
46	Impeller Key	304 Stainless Steel	
47	O'rings		
55	Oil Plug	304 Stainless Steel	
56	Outlet Flange Kit		
FL	Floatswitch		UAHDDN2200/80/3 only

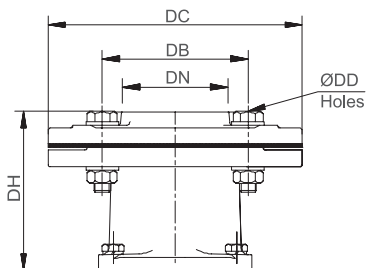
To order spare parts as above, it will be necessary to add the model number of the pump after the code listed above. For example, a power lead for a UMHDDN2200/80/3 would be written as '01-UMHDDN2200/80/3'.

## PUMP OUTLET DIMENSIONS



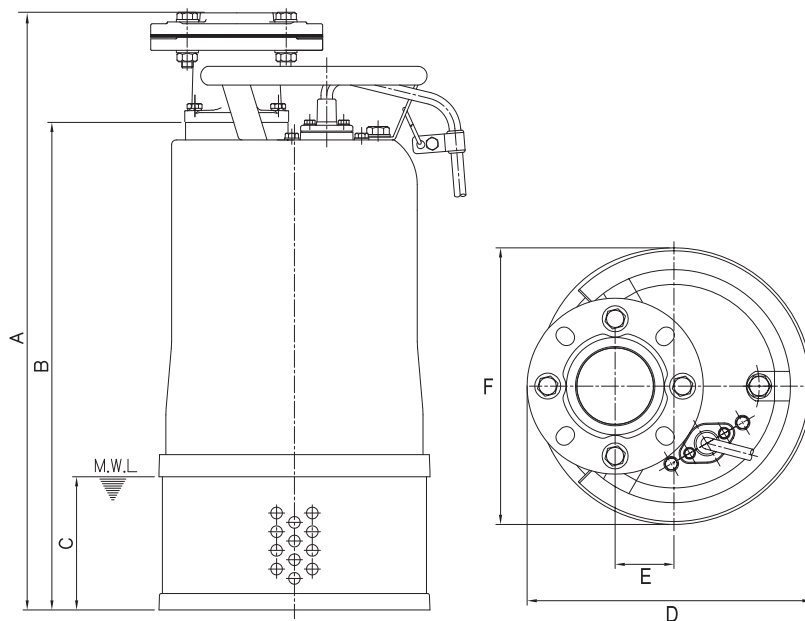
DIMENSIONS - mm		
DA	DB	DC
65	98	89

## LKF3-150\*98PT OUTLET FLANGE KIT DIMENSIONS



DIMENSIONS - mm					
DN	DB	DC	DD	DH	HOLES
80	150	185	15	112	8

## DIMENSIONAL DRAWING



DIMENSIONS - mm					
UAHDDN2200/80/3					
A	B	C	D	E	F
590	478	115	260	50	235
UMHDDN2200/80/3					
A	B	C	D	E	F
515	403	115	260	50	235